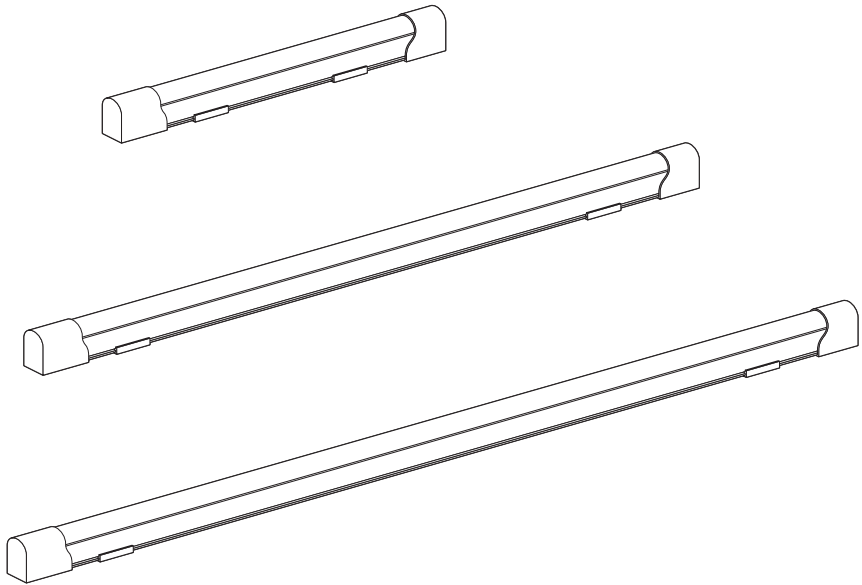
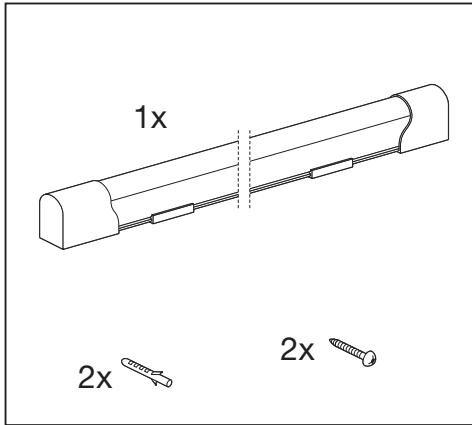

LED VALUE BATTEN



	EAN	W	lm	K	⊖ (°C)	V~	mA	Hz	PF
LED VALUE BATTEN 0.6M 10W/840	4058075268142	10	1000	4000	-20...+40	220-240	65	50/60	>0.5
LED VALUE BATTEN 1.2M 20W/840	4058075268180	20	2000	4000	-20...+40	220-240	130	50/60	>0.5
LED VALUE BATTEN 1.5M 24W/840	4058075268241	24	2400	4000	-20...+40	220-240	196	50/60	>0.5

LED VALUE BATTEN



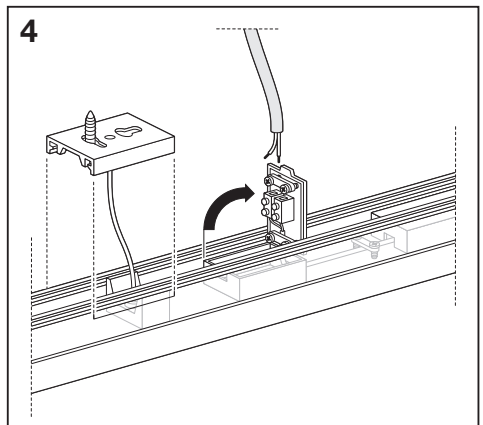
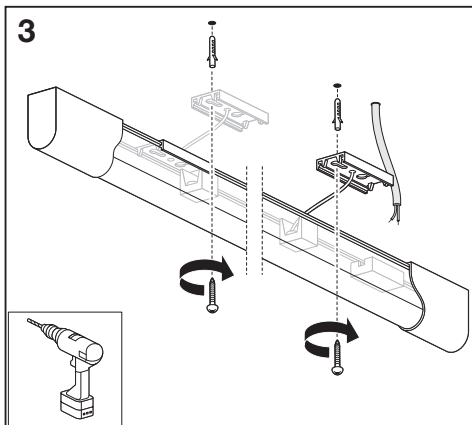
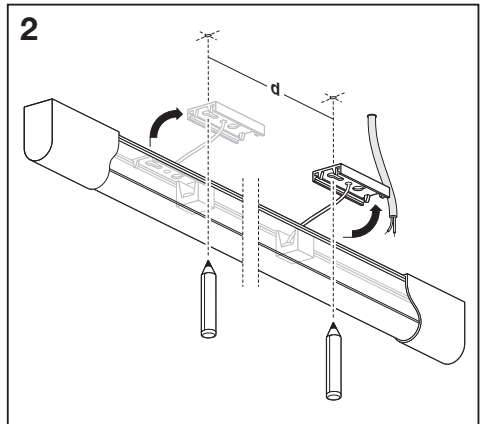
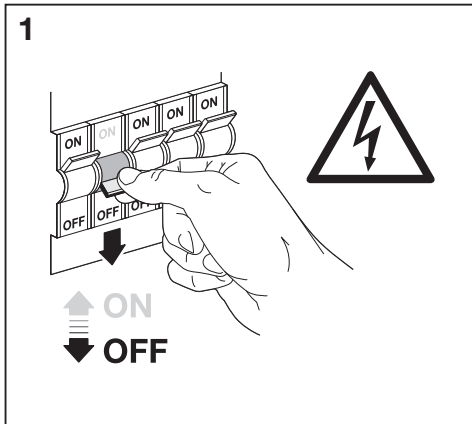
mm

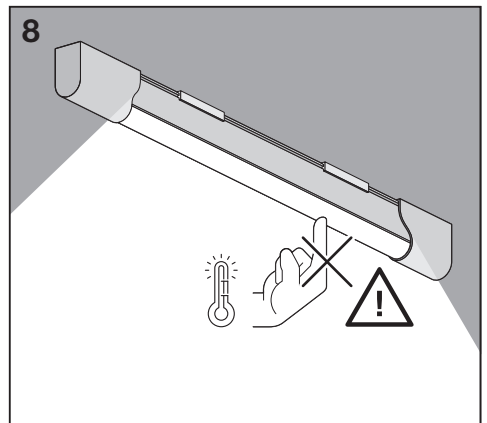
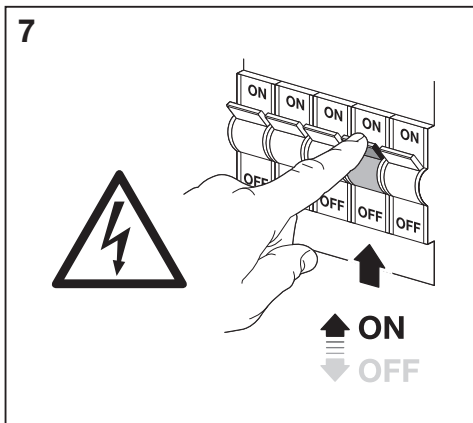
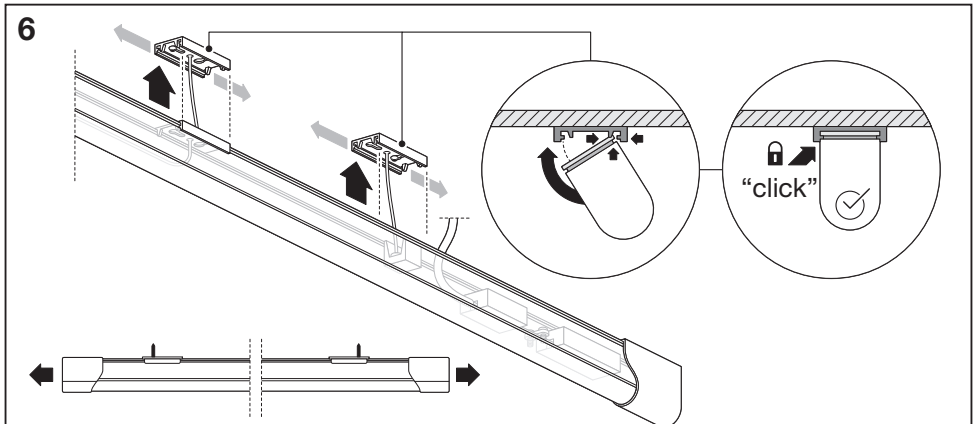
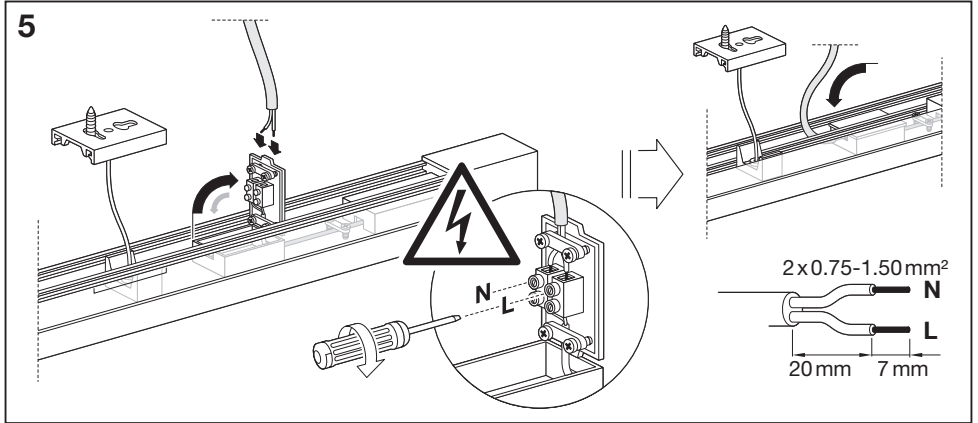
L

H

W

	L x W x H [mm]	g
LED VALUE BATTEN 0,6 M	634x29x44	225 g
LED VALUE BATTEN 1,2 M	1234x29x44	380 g
LED VALUE BATTEN 1,5 M	1534x29x44	440 g







C10449057
G11066072
21.01.2019



LEDVANCE GmbH
Steinerne Furt 62
86167 Augsburg, Germany
www.ledvance.com