



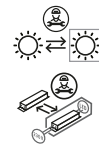
Paulmann

### Safety Instructions

1, 2, 3, 4, 5, 6, 7, 8, 12, 14, 16, 18, 19, 20, 24, 28, 33, 34



ENERGY 2019/2015



www.paulmann.com/symbols

Paulmann Licht GmbH  
Quezinger Feld 2  
31832 Springe  
Germany



www.paulmann.com

Art.-Nr.: 710.39



(+MA 326) PJ 01/24



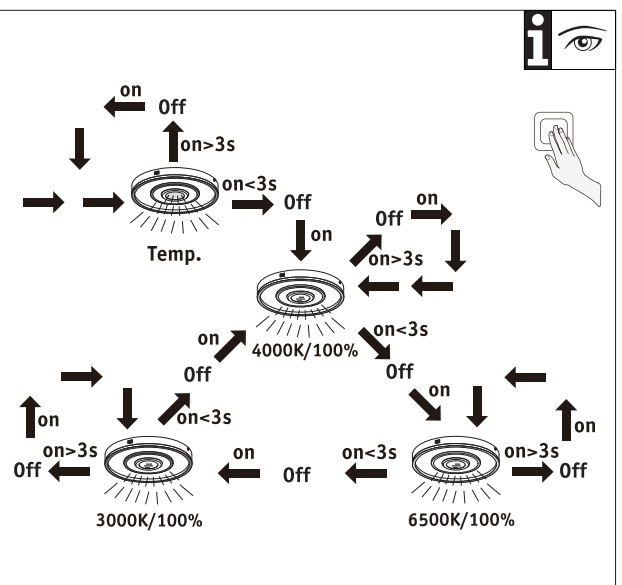
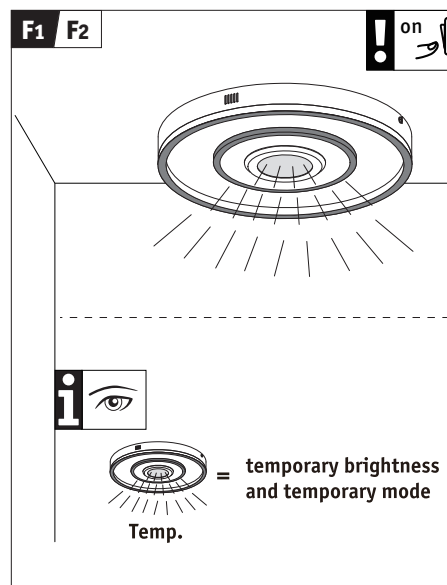
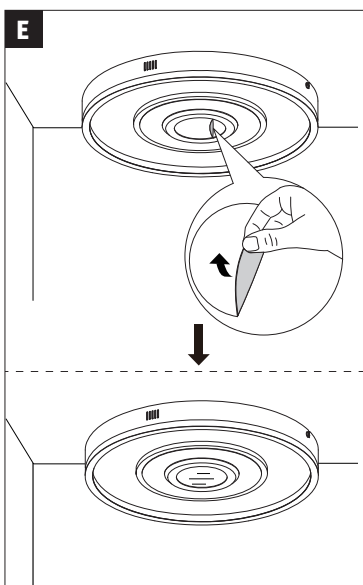
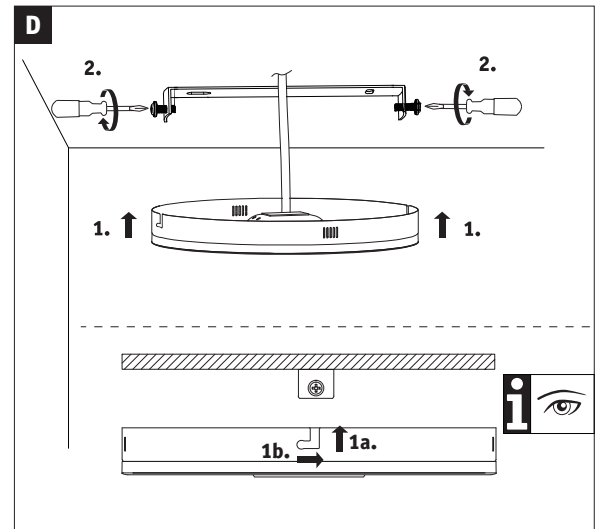
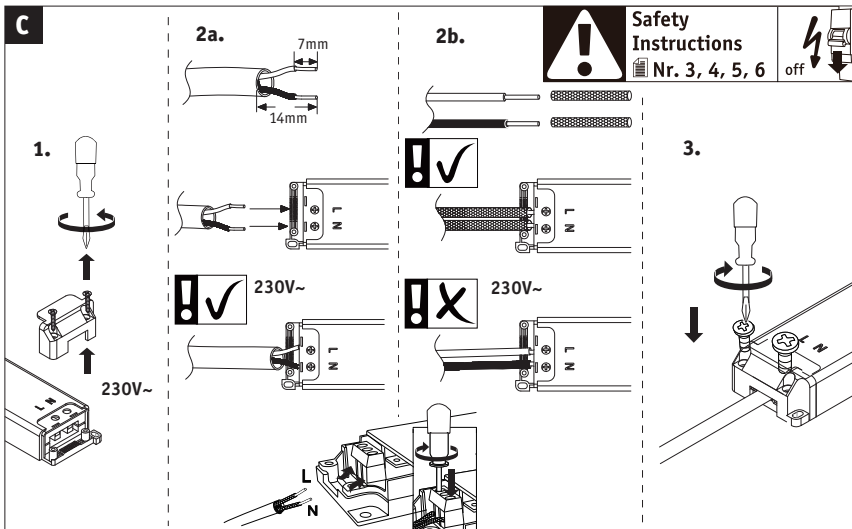
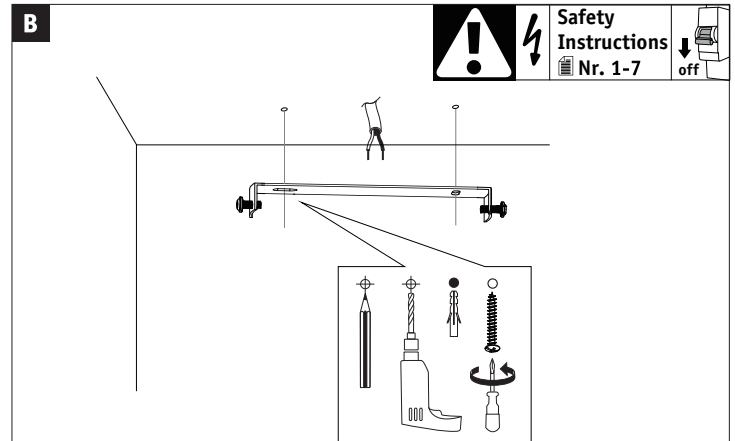
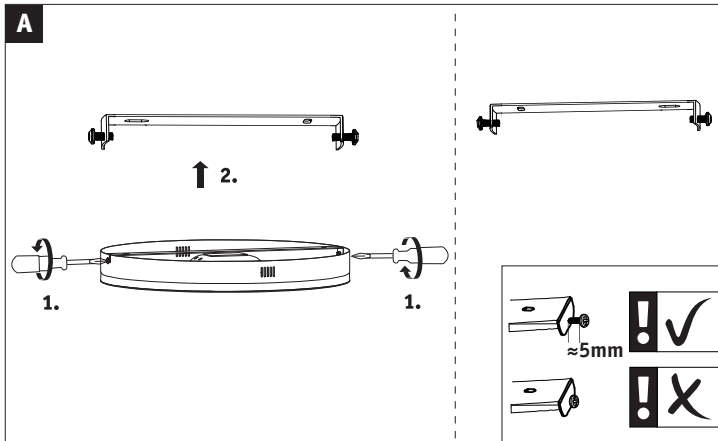
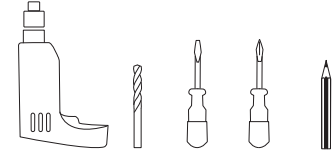
1x



1x



Incl.



**F1 F2**

not incl.  
2x AAA batteries  
(DC 1.5V)

1. 2.

**on**

<b>i</b> Code Matching	off → on →  →  →	Blink 3x	
<b>i</b> Code Clearing	off → on →  →  →	Blink 6x	

... max. 100  
max.15m  
max.15m  
max.4

**on**

1x → 2x

**off**

**3000K/10%**

1x → 4x → 4000K/100% → 2x → 6500K/100% → 3x → 3000K/100%

1x → 9x → 100% → 9x → 10%

1x → 10x → 6500K → 3000K

1x → 10x → 3000K → 6500K

**on**

1x → 2x → **off**

1x → 3x → R → 2x → G → 3x → B → color static

**RGB cycle mode**

