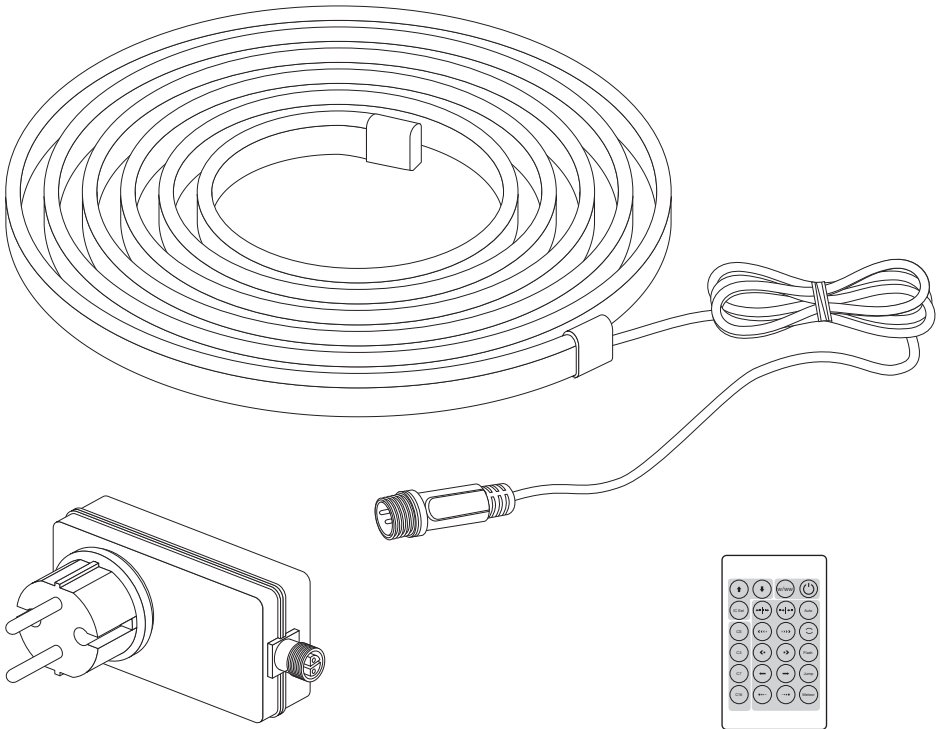
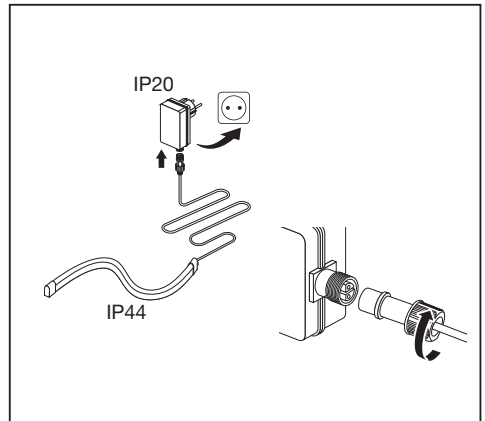
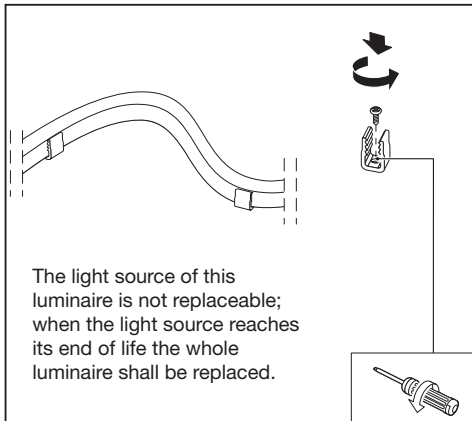
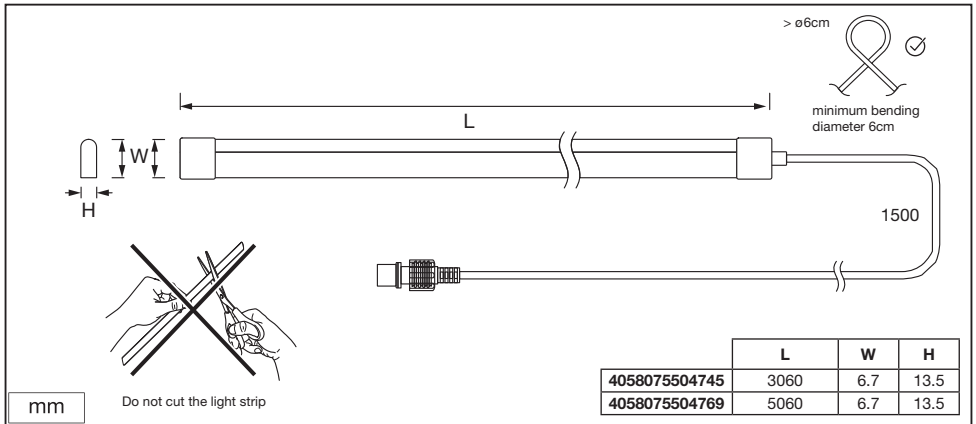
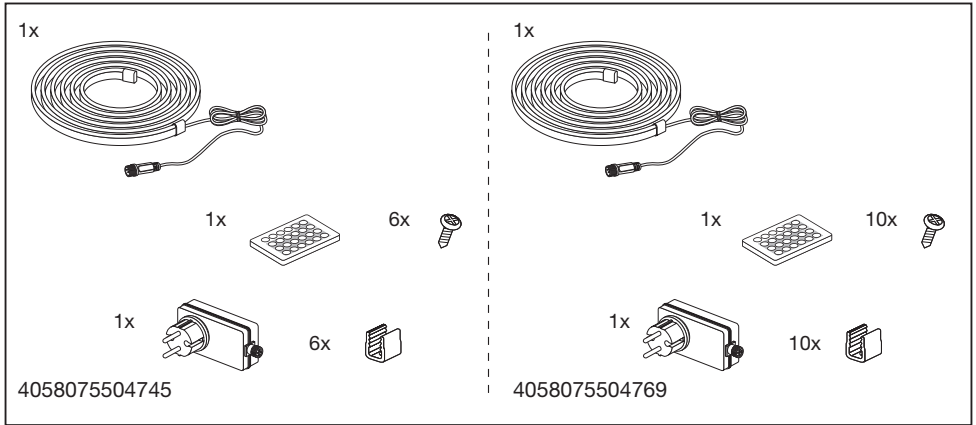

NEON DIGITALFLEX



	EAN	W	lm	°C	V~	mA	Hz
NEON DIGITALFLEX 3M REMOTE RGB IP44	4058075504745	15	120	-20...+40	220-240	120	50/60
NEON DIGITALFLEX 5M REMOTE RGB IP44	4058075504769	23	180	-20...+40	220-240	170	50/60



Do not connect the rope light to the supply while it is wound onto a reel.

1

Do not use the lightstrip when covered or recessed into a surface.¹

2

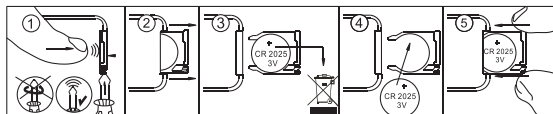
The string of lights may not be operated within the packaging.²

3

Do not open the lightstrip.³



- Increase/Decrease
Buttons increase/decrease LED brightness in static mode
Buttons increase/decrease speed in dynamic mode
The number of IC is added or subtracted in IC SET mode
- OFF/ON
On/off button: click once to turn on the LED controller;
Click once again to turn off the LED controller;
- White/Warm White
Click white light; Click warm white;
- IC setting up mode
Press this key to enter the IC Set mode. (Press any other mode key to exit the IC Set mode) You can optional increase/decrease key to add or reduce the number of ICs to change the LED light length of LED strip.
- Static color selection
Press this key to switch between red, green, blue, yellow, purple, cyan, cool white and warm white... amount 8 Static colors
- 3 colors selection
Press this key to switch between red, green, blue, 3 static colors.
- 7 colors selection
Press this key to switch between red, green, blue, yellow, purple, blue, white amount 7 Static colors
- 16 colors selection
Pressing this key to switch between red, green, blue, yellow, purple, cyan, white, orange, dark yellow, light yellow, light green light blue, dark blue, sky blue, blue purple, magenta, 16 static colors.
- Curtain-up mode
The color when running CS/C3/C7/C16 key mode, push from the middle to both sides to form the dispersion effect.
- Collect effect mode
The color when running CS/C3/C7/C16 key mode, Promote the closing effect from both sides to the middle.
- Flowing water effect (left)
Running CS/C3/C7/C16 button mode, each color flows to the left.
- Flowing water effect (Right)
Running CS/C3/C7/C16 button mode, each color flows to the right
- White light refresh water effect (left)
The color when running CS/C3/C7/C16 key mode flows to the left on the white light.
- White light refresh water effect (Right)
The color when running CS/C3/C7/C16 key mode flows to the right on the white light.
- Refresh ground color(left)
Run the CS/C3/C7/C16 button mode. The background color is the previous color and swipe left in sequence
- Refresh ground color(Right)
Run the CS/C3/C7/C16 button mode. The background color is the previous color and swipe right in sequence
- Meteor drops of water(left)
The color running under the CS/C3/C7/C16 button mode, drop 8 ICs / 8-level grayscale (the speed is not adjustable here). After dropping these 8 ICs, slide to the left like a meteor (the speed is adjustable here).
- Meteor drops of water (Right)
The color running under the CS/C3/C7/C16 button mode, drop 8 ICs / 8-level grayscale (the speed is not adjustable here). After dropping these 8 ICs, slide to the right like a meteor (the speed is adjustable here).
- Automatic
All pattern loops
- Circulation of running water mode
Running CS/C3/C7/C16 button mode to circulate the flowing water to the left and right.
- Gradual change
Running CS/C3/C7/C16 button mode gradual change effect
- Jump
Running CS/C3/C7/C16 button mode jump effect.
- The meteor circulates around
When running CS/C3/C7/C16 button mode, the meteor swipes to the left and right (drip) circulation effect.



¹ ① Lichtleiste nicht verwenden, wenn abgedeckt oder in eine Fläche eingelassen. ② Do not use the lightstrip when covered or recessed into a surface. ③ Ne pas utiliser le bandeau lumineux s'il est couvert ou en retrait dans un quelconque matériau. ④ Non utilizzare la striscia luminosa se coperta o incassata in una superficie. ⑤ No utilize la línea de luces si está cubierta o incrustada en una superficie. ⑥ Não use a fita de luz quando estiver coberta ou embutida numa superfície. ⑦ Μην χρησιμοποιείτε τη λωρίδα φωτισμού όταν καλύπτεται ή είναι σε εσοχή μέσα σε επιφάνεια. ⑧ Gebruik de lichtketting niet als deze bedekt is of in een oppervlak is verzonken. ⑨ Använd inte belysningsslingan när den är övertäckt eller på en inskjuten yta. ⑩ Älä käytä valonauhaa jos se on peitetty tai upotettu pintaan. ⑪ Bruk ikke lysstripen dersom den er tildekket eller felt inn i en overflate. ⑫ Lysstrimlen må ikke bruges, når den er tildekket eller forsenket i en overflade. ⑬ Světelný pás nepoužívejte zakrytý nebo zapuštěný do povrchu. ⑭ Ne használja a fényszalagot letakarva, illetve a felületbe besüllyesztve. ⑮ Nie korzystac z taśmy świetlnej, jeżeli jest przykryta lub wpuszczona w powierzchnię. ⑯ Svetelný pás nepoužívajte, ak je zakrytý alebo zapustený do povrchu. ⑰ Ne uporabljajte svetlobnegatruku, če je pokrit ali v utoru v površini. ⑱ Işık şeridini bir yüzeye örtülmüş ya da gömülmüş bir şekildeyken kullanmayın. ⑲ Ne upotrebljavajte svetlosnu traku ako je pokrivena ili ulegnuta u površinu. ⑳ Nu folosiți banda de leduri dacă este acoperită sau introdusă într-o adâncitură. ㉑ Не използвайте светлинната лента, когато е покрита или поставена в прорез на повърхност. ㉒ Ärge kasutage valgusriba, kui see on kinni kaetud või süvistatud. ㉓ Nenaudokite šviesos juostos, kai ji yra uždenota arba įdėta į paviršių. ㉔ Neizmantot gaismas lenti, ja tā ir apsegta vai iegrimusi virsmā. ㉕ Не користите светлосну траку ако је покривена или улегнута у површину. ㉖ Не використовуйте світлодіодну стрічку, коли вона чимось закрита або вмонтована в поверхню.

² ① Die Lichterkette darf nicht in der Verpackung betrieben werden. ② The string of lights may not be operated within the packaging. ③ Le bandeau lumineux ne doit pas être mis en fonction alors qu'il se trouve dans son emballage. ④ La serie di luci non può essere messa in funzione dall'imballaggio. ⑤ La cadena de luces no se puede operar dentro del embalaje. ⑥ A grinalda luminosa não pode ser usada dentro da embalagem. ⑦ Η σειρά των φωτιστικών δεν πρέπει να χρησιμοποιείται εάν είναι μέσα στη συσκευασία. ⑧ De striplamp mag niet in de verpakking worden gebruikt. ⑨ Lysrøret får inte användas inuti förpackningen. ⑩ Valonauhaa ei saa käyttää paketin sisällä. ⑪ Lyskjeden får ikke brukes mens den fortsatt befinner seg i emballasjen. ⑫ Lyskæden må ikke være i drift, men den er i emballagen. ⑬ Světelný pás nesmí být používán ve svém obalu. ⑭ A fényfűzét nem szabad a csomagolásban használni. ⑮ Paska švietnego nie można używać, gdy jest w opakowaniu. ⑯ Svetelná reťaz sa nesmie používať v obale. ⑰ Svetlobne verige ni dovoljeno uporabljati v embalaži. ⑱ Noel işiklan ambalajı içinde kullanılamaz. ⑲ Svetlosni lanac ne smije se pokretati dok se nalazi u pakiranju. ⑳ Reteaua de lumini nu poate fi acționată în interiorul ambalajului. ㉑ Със светлинните гирлянди не може да се работи, докато са в опаковката. ㉒ Valgusketti ei tohi kasutada, kui see asub pakendis. ㉓ Šviesos juostų negalima naudoti, kol jos yra pakuotėje. ㉔ Gaismu virteni nav atļauts darbināt, kamēr virtene atrodas iepakojumā. ㉕ Svetlosni lanac ne sme da se pušta u rad dok se nalazi u pakovanju. ㉖ Світлодіодну стрічку не можна використовувати, якщо вона перебуває в упаковці.

³ ① Lichtleiste nicht öffnen. ② Do not open the lightstrip. ③ Ne pas ouvrir le bandeau lumineux. ④ Non aprire la striscia luminosa. ⑤ No abra la línea de luces. ⑥ Não abra a fita de luz. ⑦ Μην ανοίγετε τη λωρίδα φωτός. ⑧ Open de lichtketting niet. ⑨ Öppna inte ljuslsten. ⑩ Älä avaa valonauhaa. ⑪ Apne ikke lysstripen. ⑫ Lysstrimlen må ikke åbnes. ⑬ Světelný pás neotvírajte. ⑭ Ne nyissa fel a fényszalagot. ⑮ Nie otwierac paska švietnego. ⑯ Svetelný pás neotvarjate. ⑰ Svetlobnega traku ne odpirajte. ⑱ Işık şeridini açmayın. ⑲ Ne otvarajte svetlosnu traku. ⑳ Nu desfaceti banda LED. ㉑ Не отваряйте светлинната лента. ㉒ Ärge avage valgusriba. ㉓ Neatidarykite šviesos juostos. ㉔ Neatveriet gaismas lenti. ㉕ Не отваряте светлосну траку. ㉖ Світлодіодну стрічку не можна розкривати.



IP44 RoHS

C10449057
G11102951
31.08.2020



LEDVANCE GmbH
Steinerne Furt 62
86167 Augsburg, Germany
www.ledvance.com