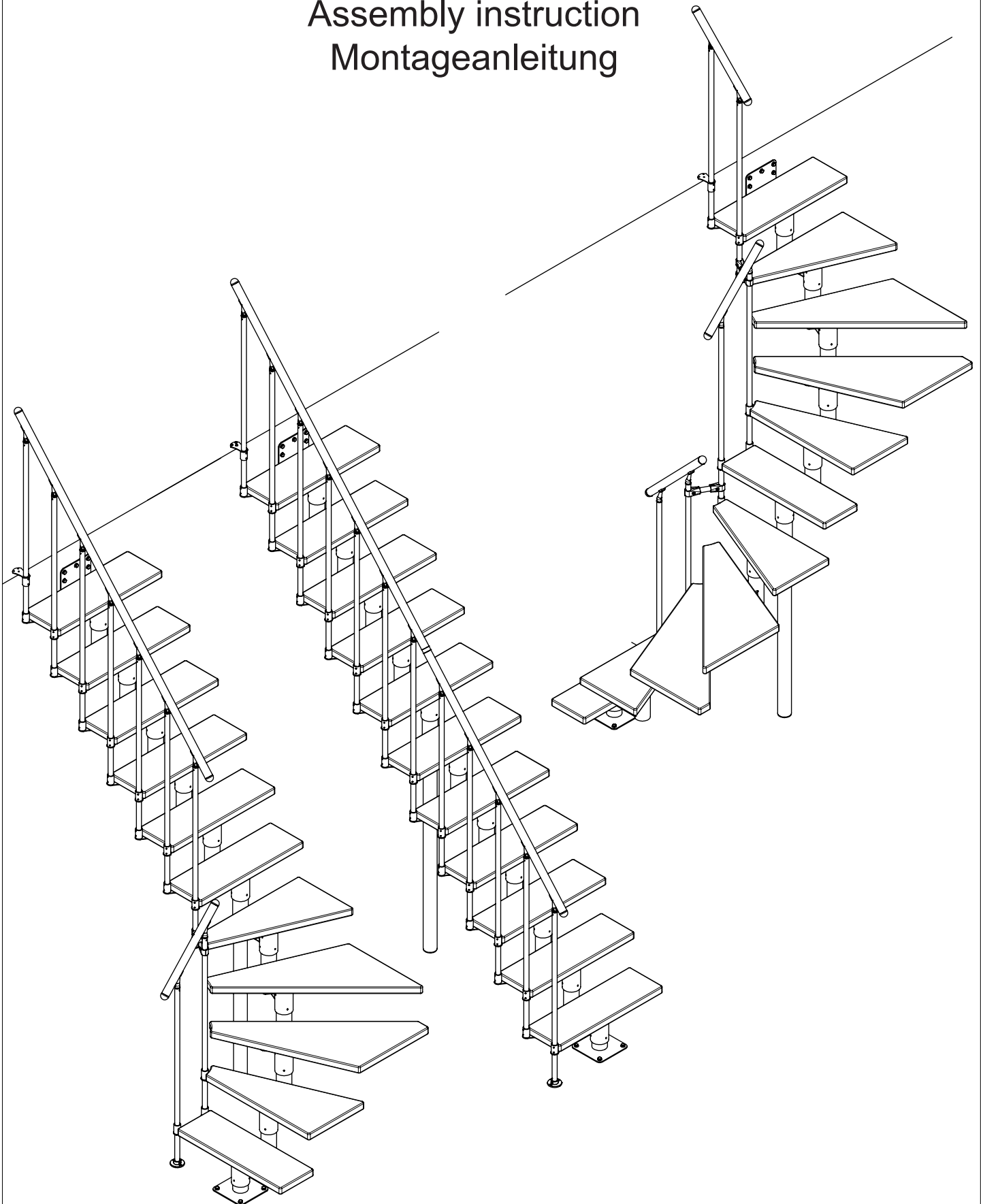
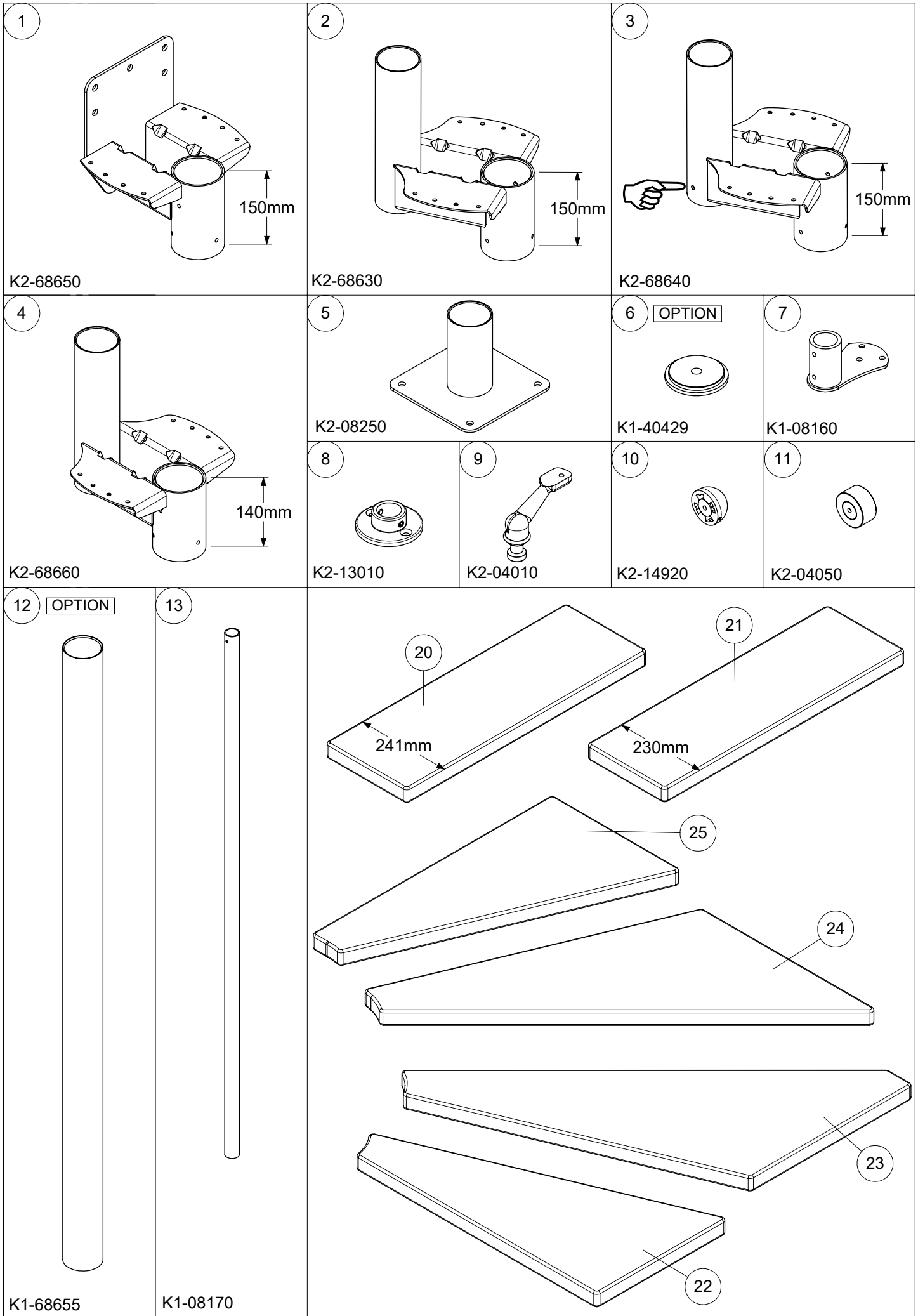
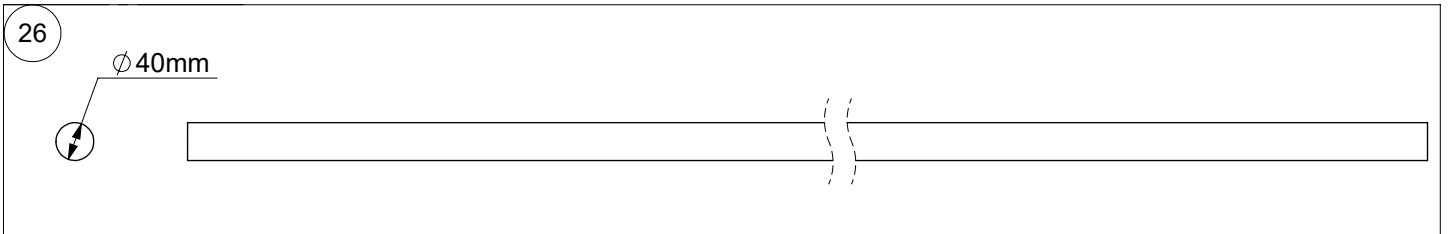


CORK

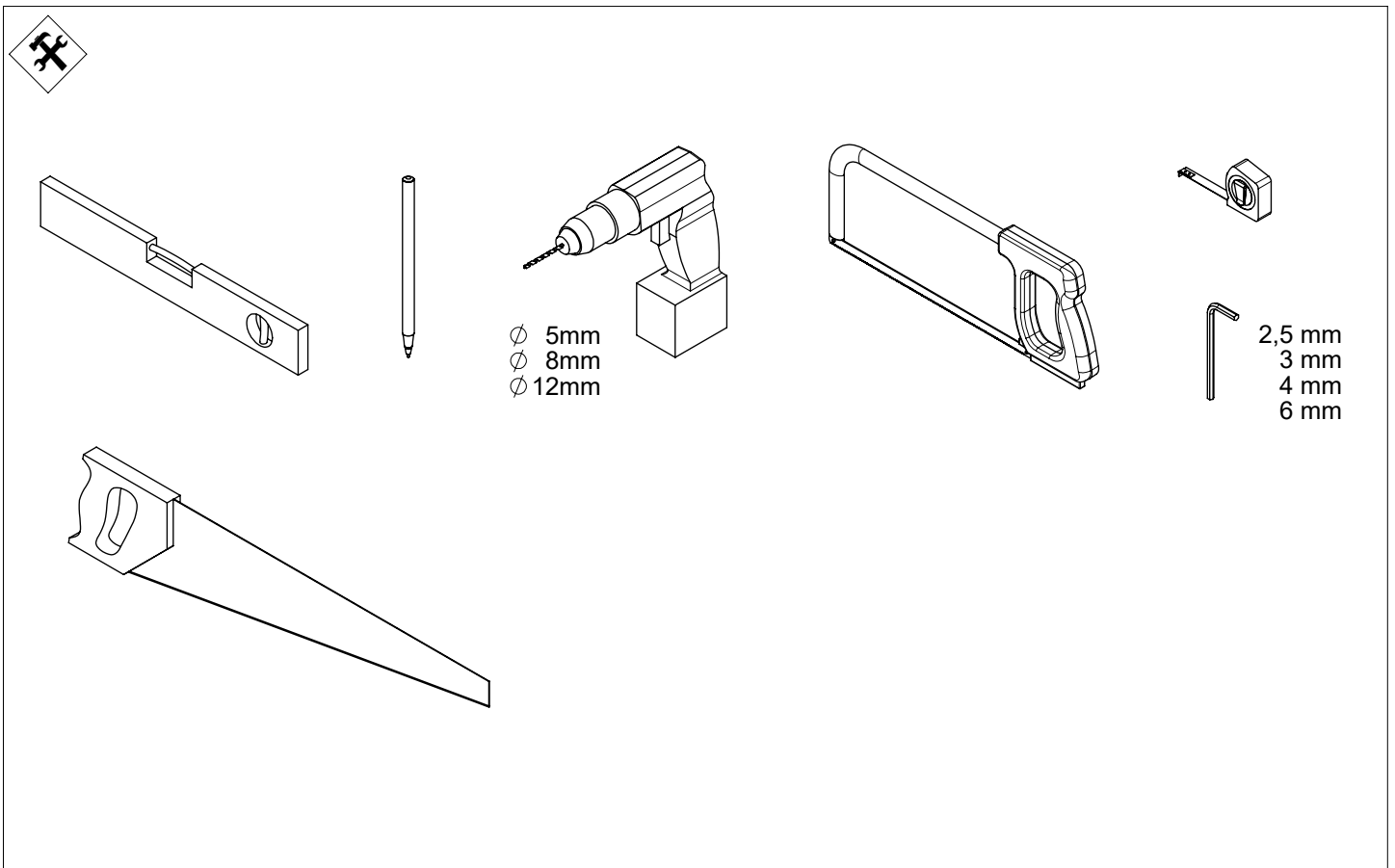
Montagevejledning
Assembly instruction
Montageanleitung

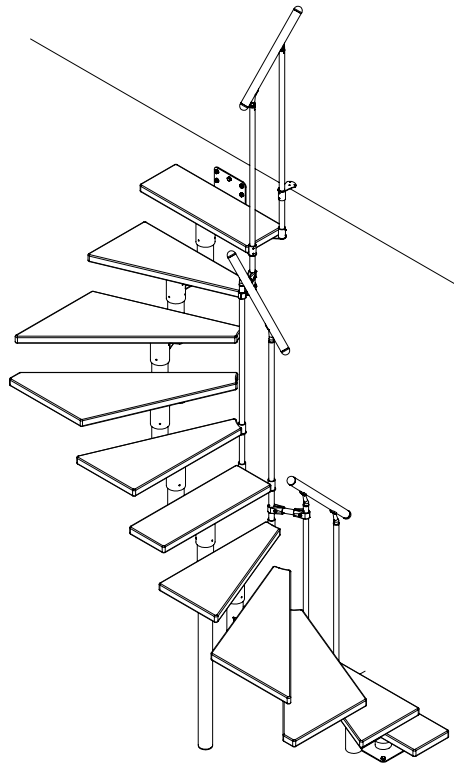
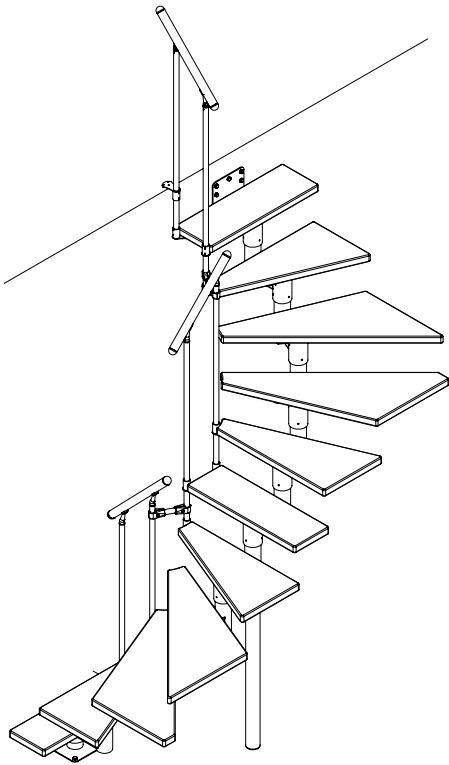
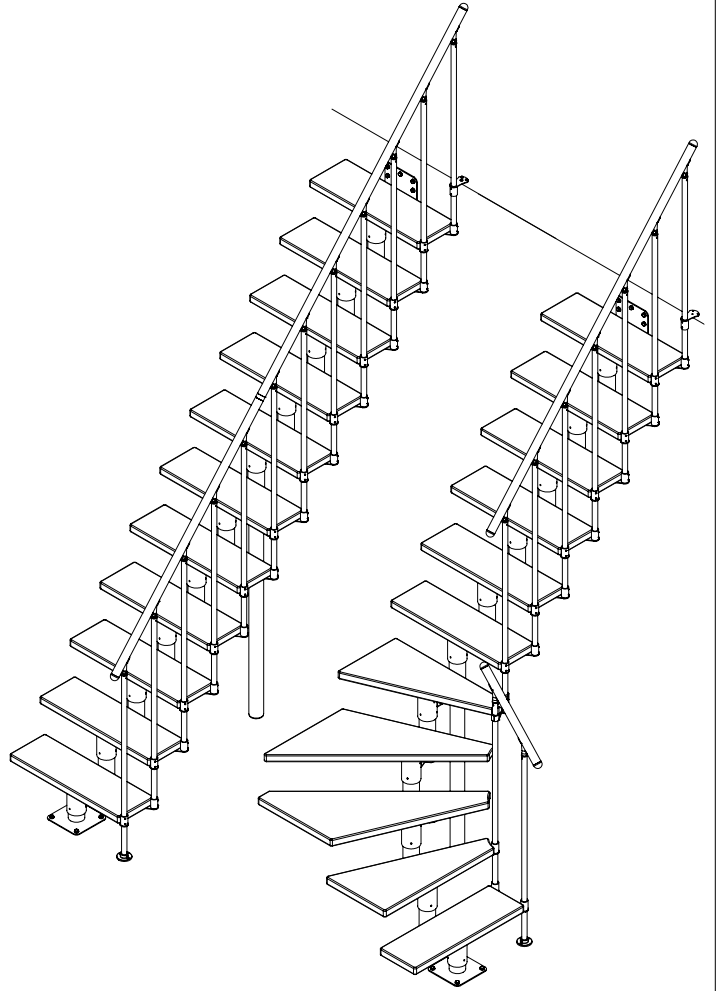
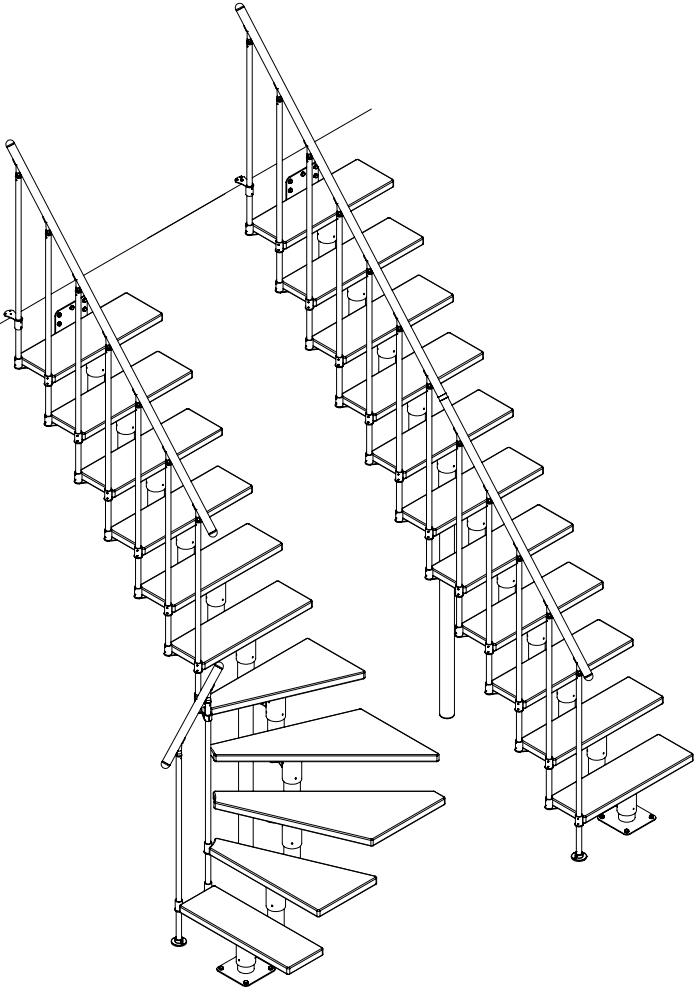


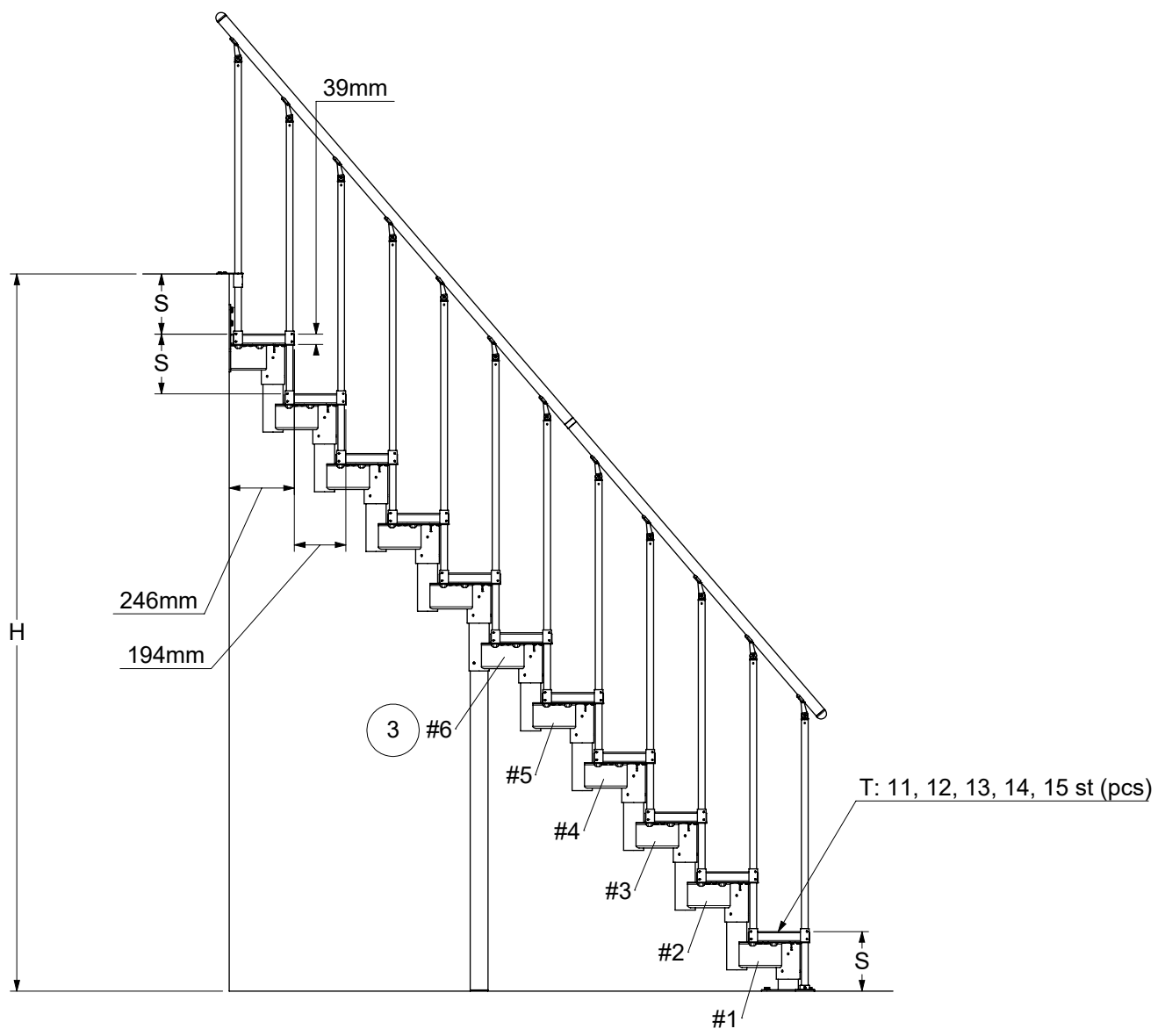




<p>27</p> <p>K2-08310</p>	<p>28</p> <p>K1-68620</p>	<p>29</p> <p>K1-08260</p>			
<p>40</p> <p>K3-08001 Ø12 x 60</p>	<p>41</p> <p>K3-04001 Ø10</p>	<p>42</p> <p>K3-06003 Ø10 x 60</p>	<p>43</p> <p>K3-05003 M8 x 6</p>	<p>44</p> <p>R1-63267 Ø6 x 35</p>	<p>45</p> <p>K3-05001 M5 x 6</p>
<p>46</p> <p>K3-05002 M6 x 8</p>	<p>47</p> <p>K3-08002 Ø8 x 40</p>	<p>48</p> <p>K3-06002 Ø4 x 25</p>	<p>49</p> <p>R3-91360 Ø5 x 25</p>	<p>50</p> <p>K1-01620</p>	<p>51</p> <p>K1-08270</p>
<p>52</p> <p>K3-06009 Ø6 x 40</p>	<p>53</p> <p>K3-04002 Ø8</p>	<p>54</p> <p>K3-06005 Ø5 x 50</p>	<p>Til fjernelse af urenheder i gevind. For removing impurities in threads. Zum Unreinheiten in Gewinde zu entfernen.</p> <p>K3-10010 M8</p>		







$$S = \frac{H}{T + 1}$$

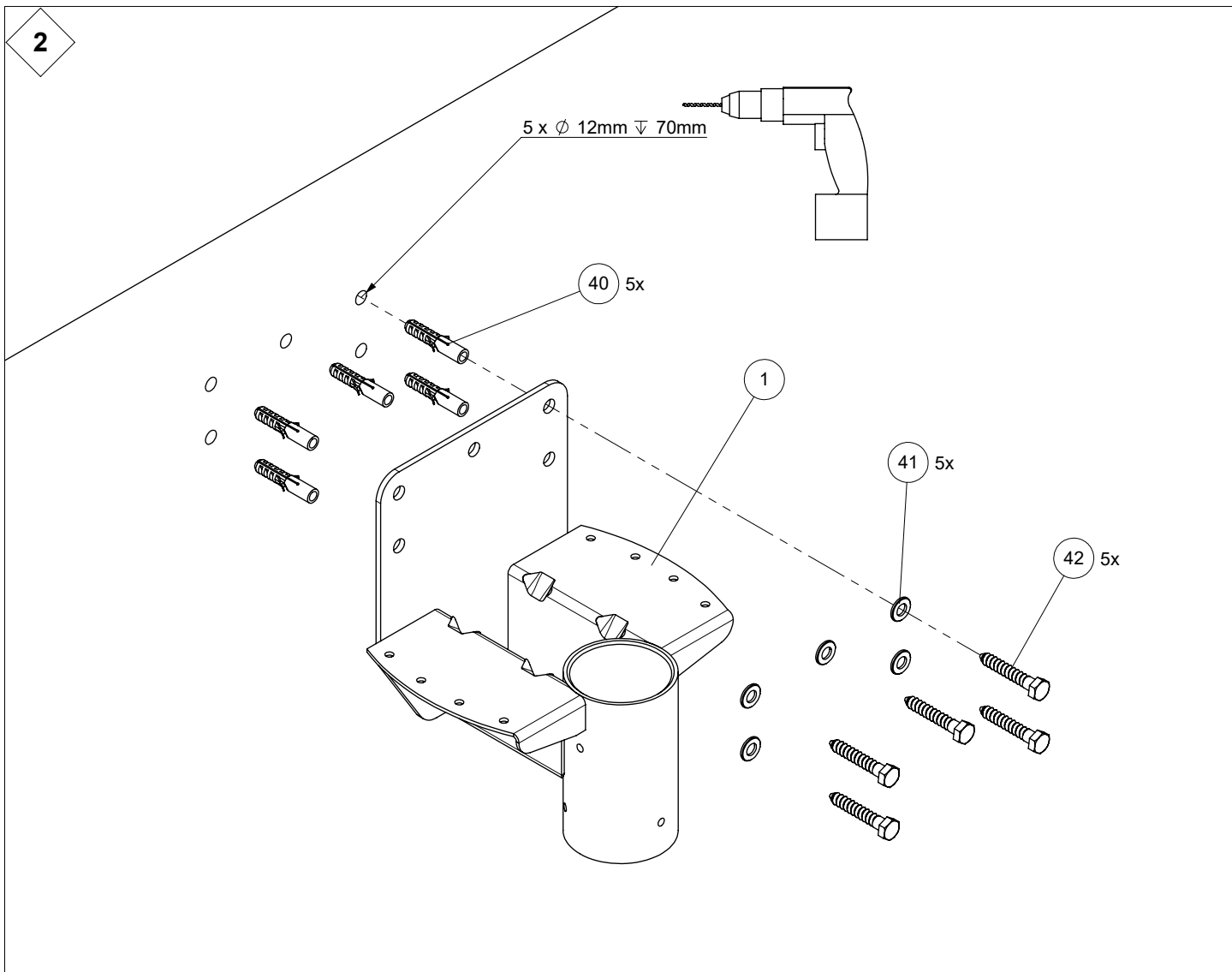
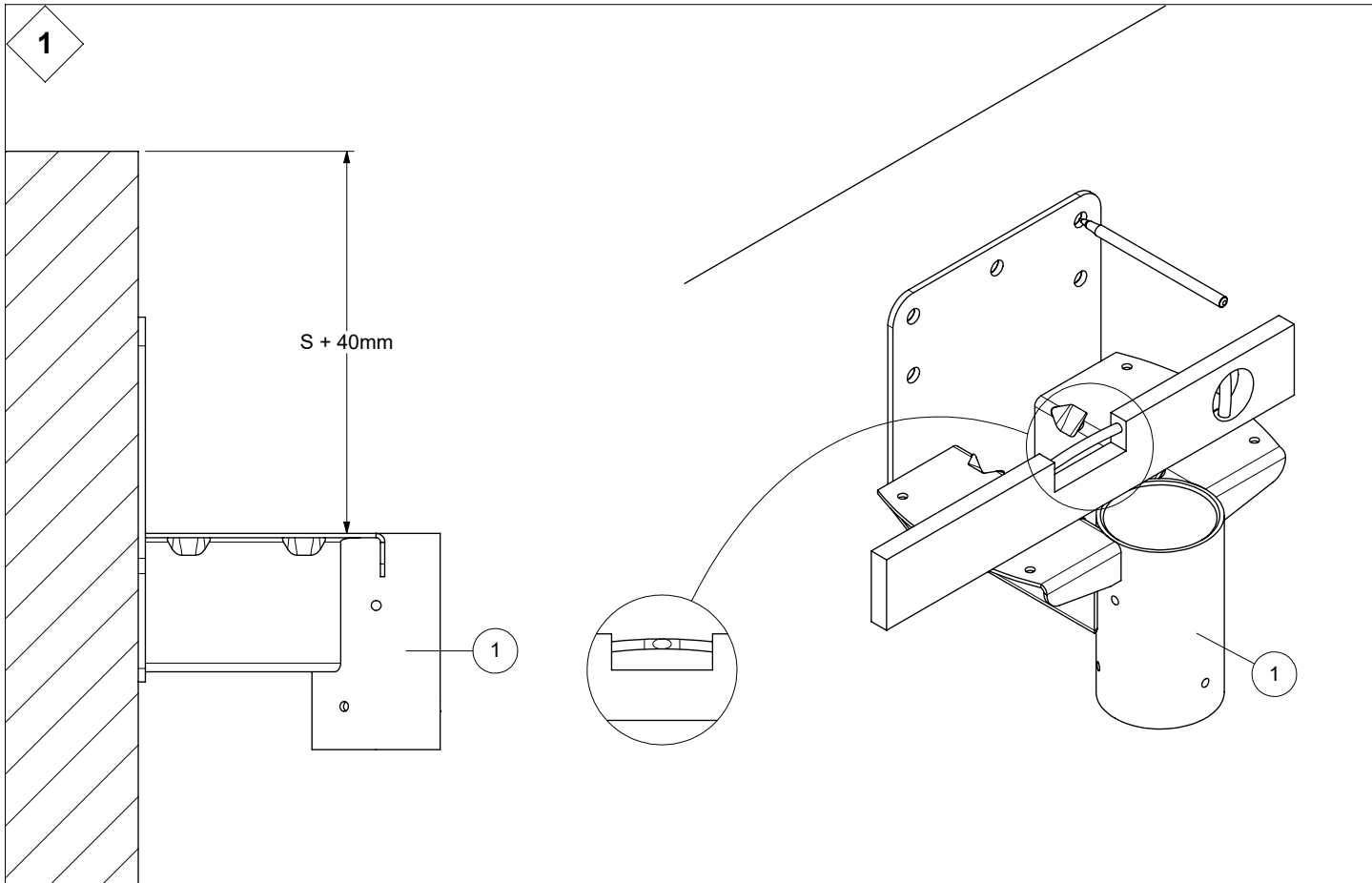
min S	max S
185 mm	225 mm

T	min H	max H
11	2220 mm	2700 mm
12	2405 mm	2925 mm
13	2590 mm	3150 mm
14	2775 mm	3375 mm
15	2960 mm	3600 mm

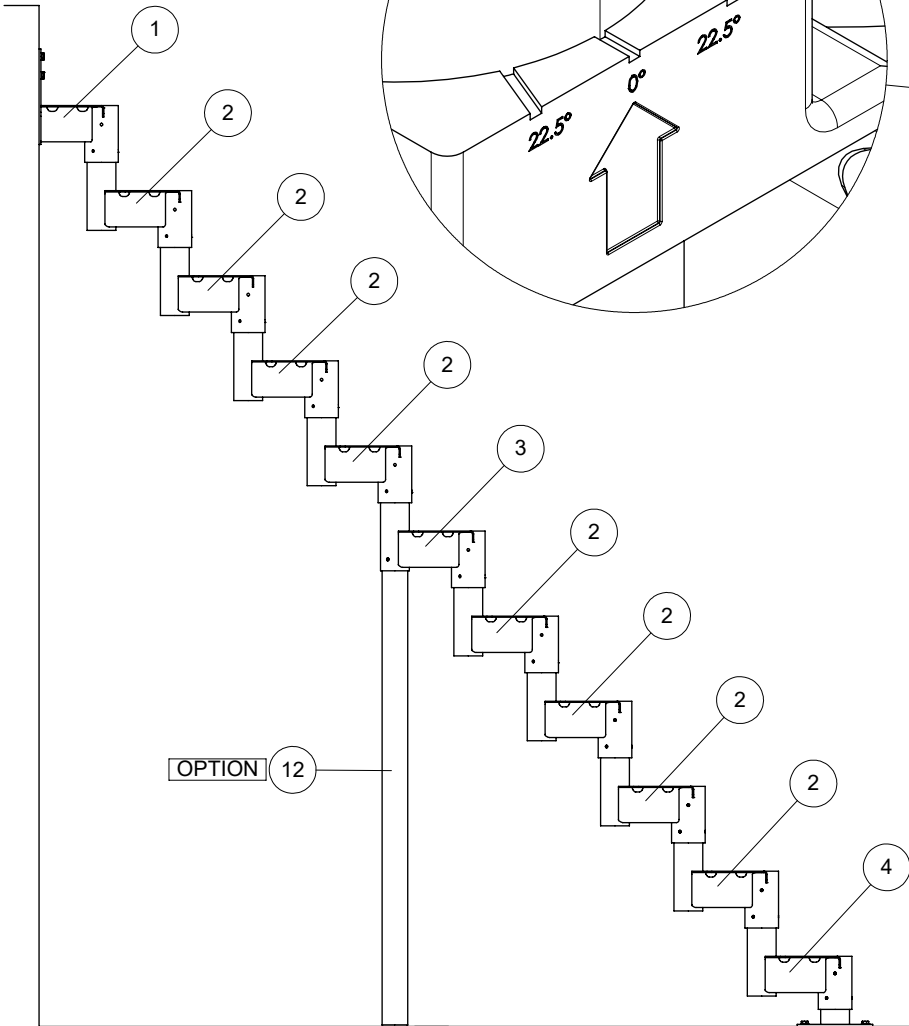
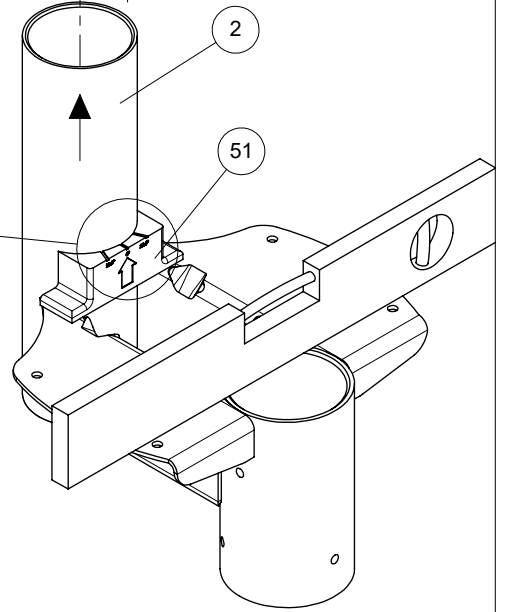
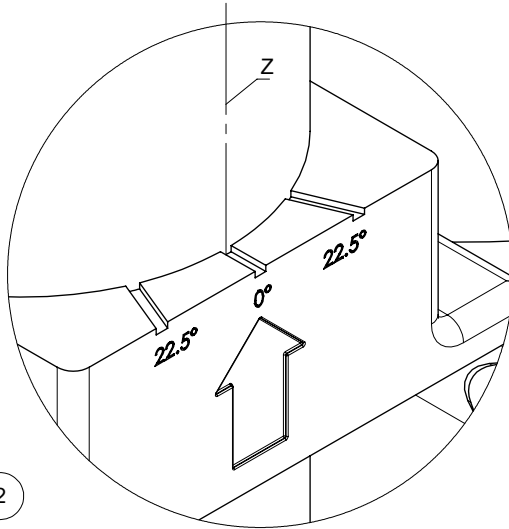
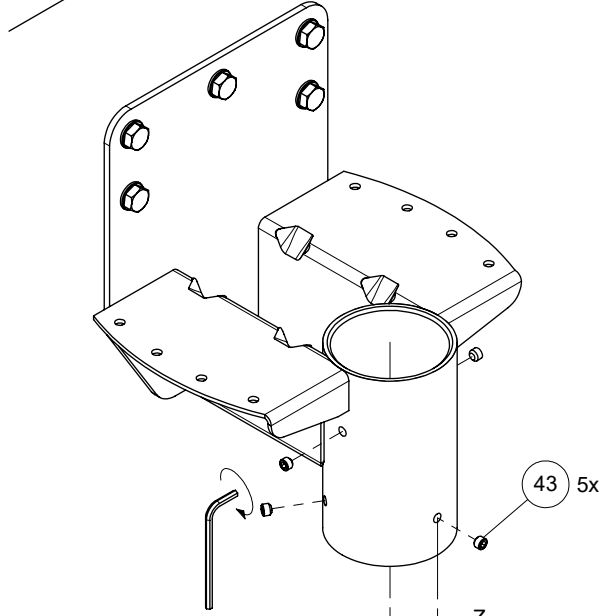
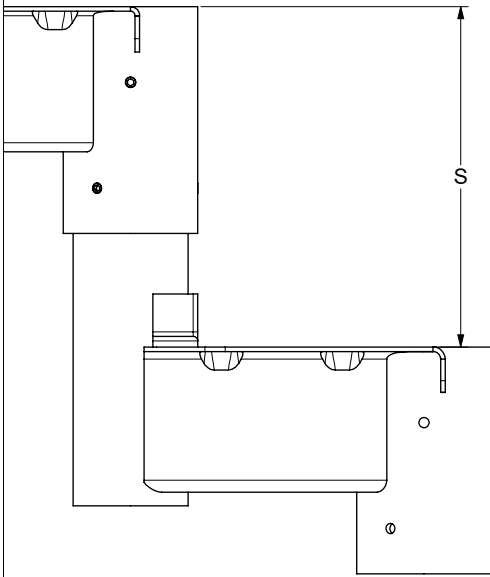
Example / Beispiel / Eksempel:
 H: 2500 mm, T: 12 st(pcs)

$$S = \frac{2500 \text{ mm}}{12 + 1} = 192,3 \text{ mm}$$

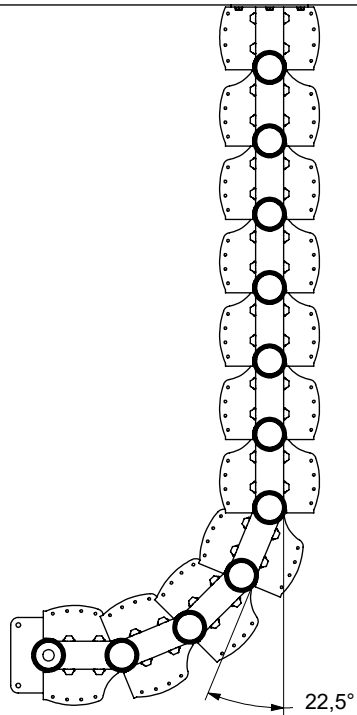
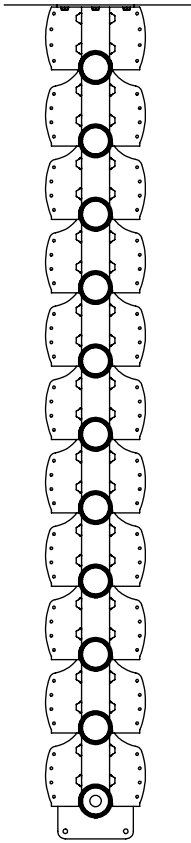




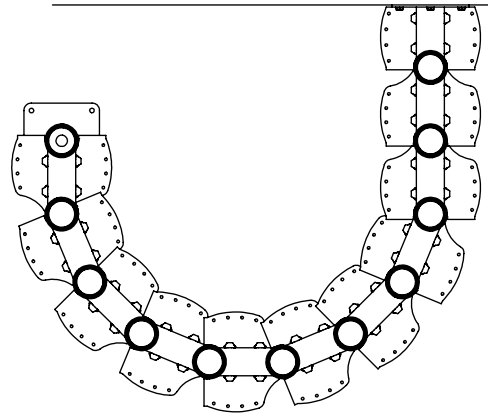
3



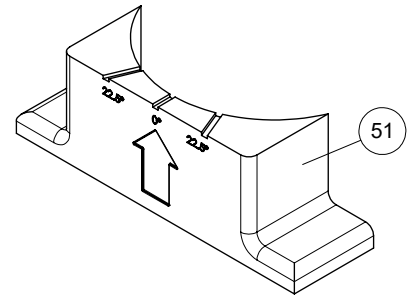
4



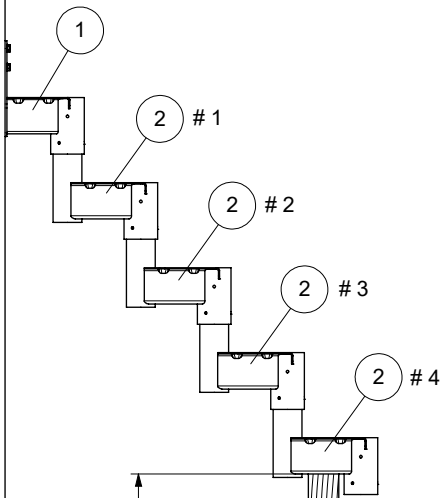
$4 \times 22,5^\circ = 90^\circ$



$8 \times 22,5^\circ = 180^\circ$



5



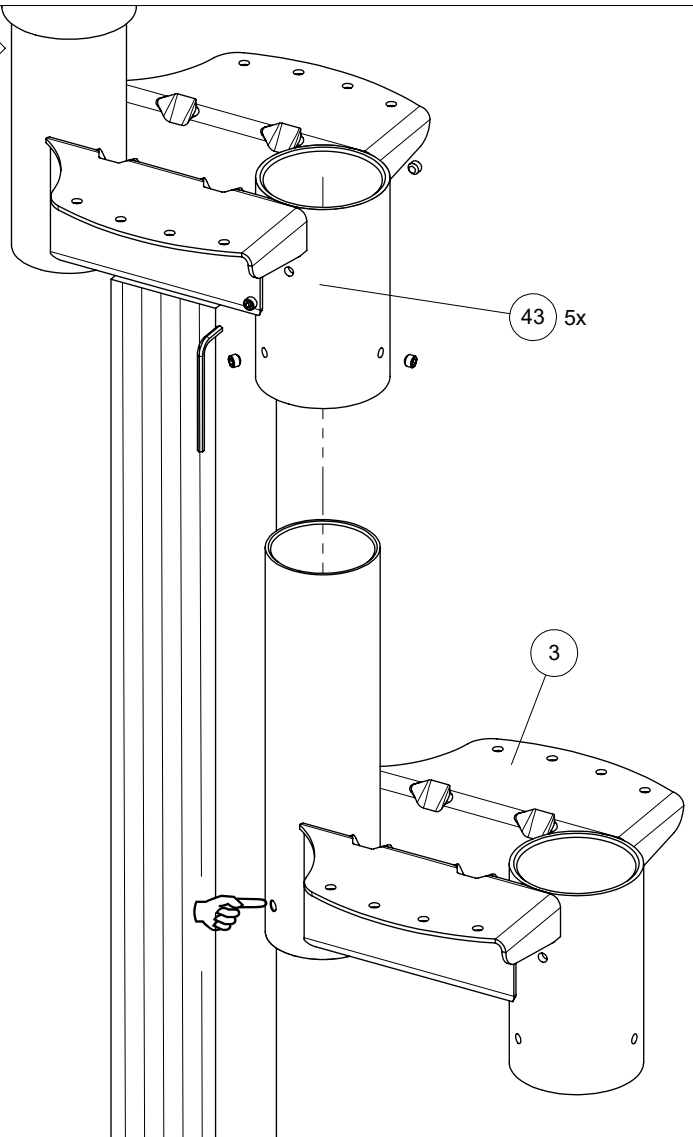
Max 1439mm
Min 1159mm

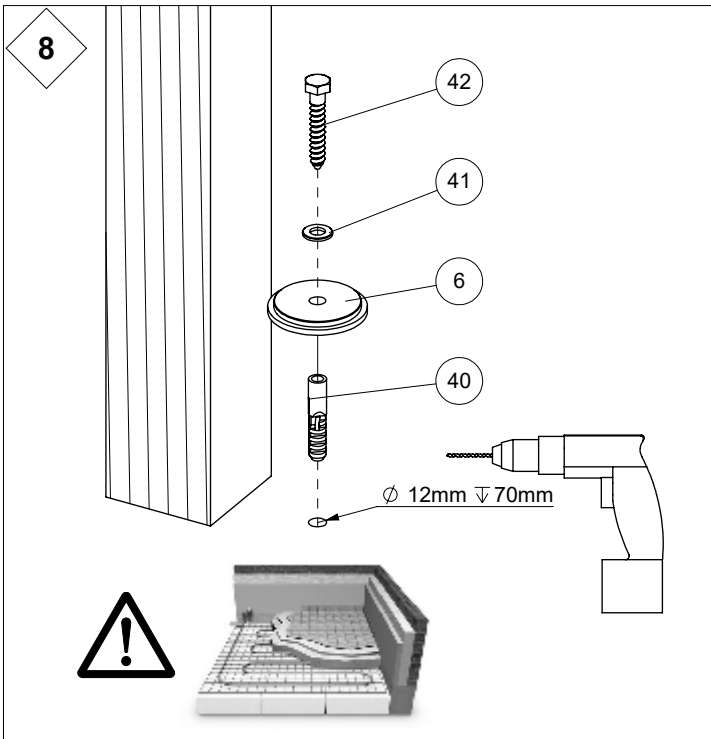
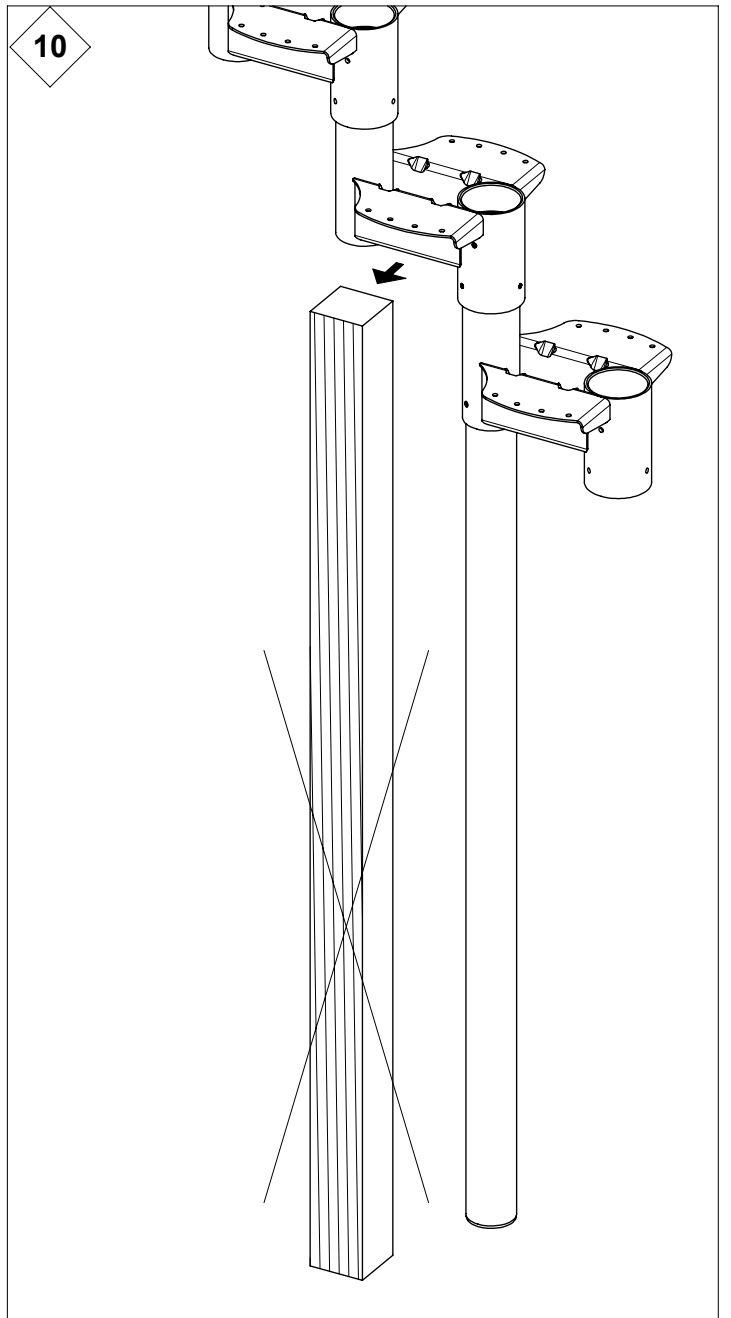
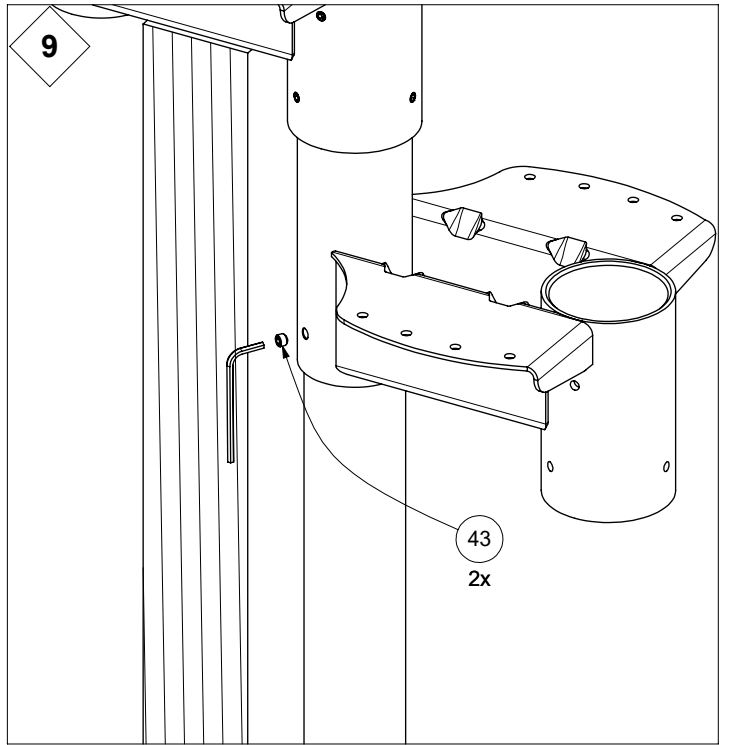
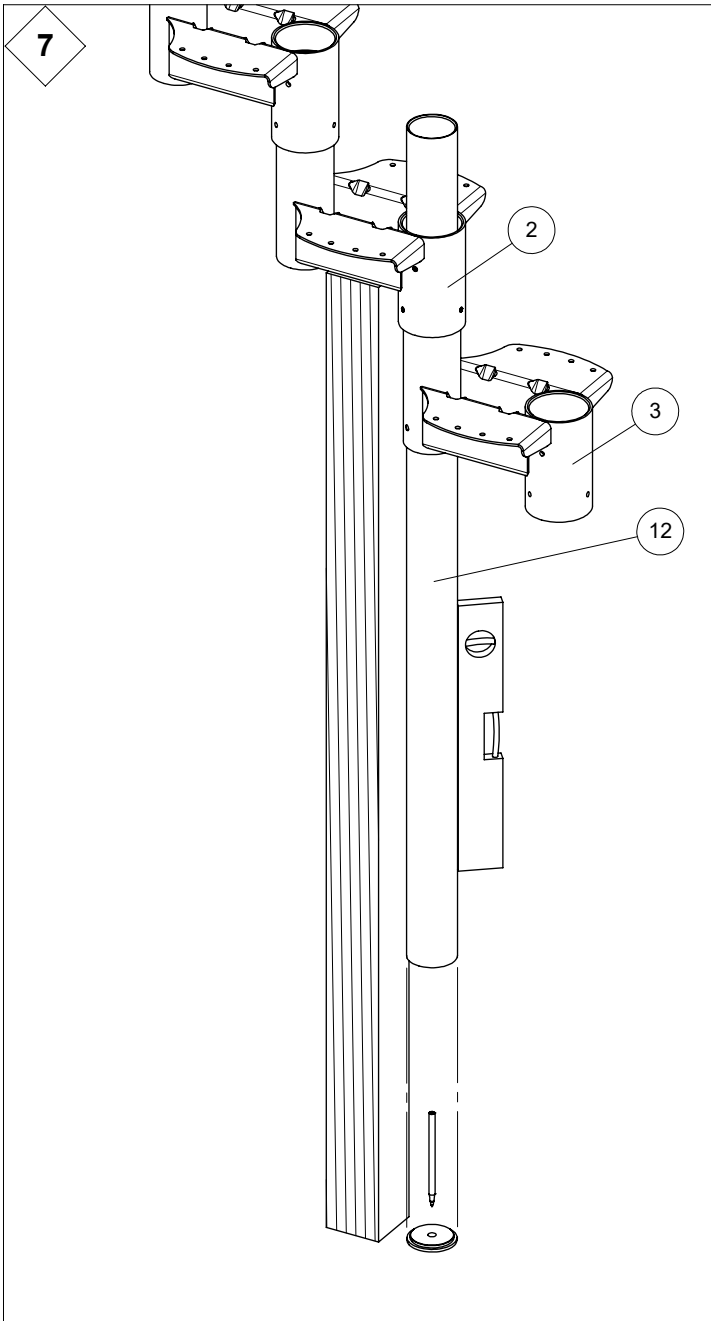


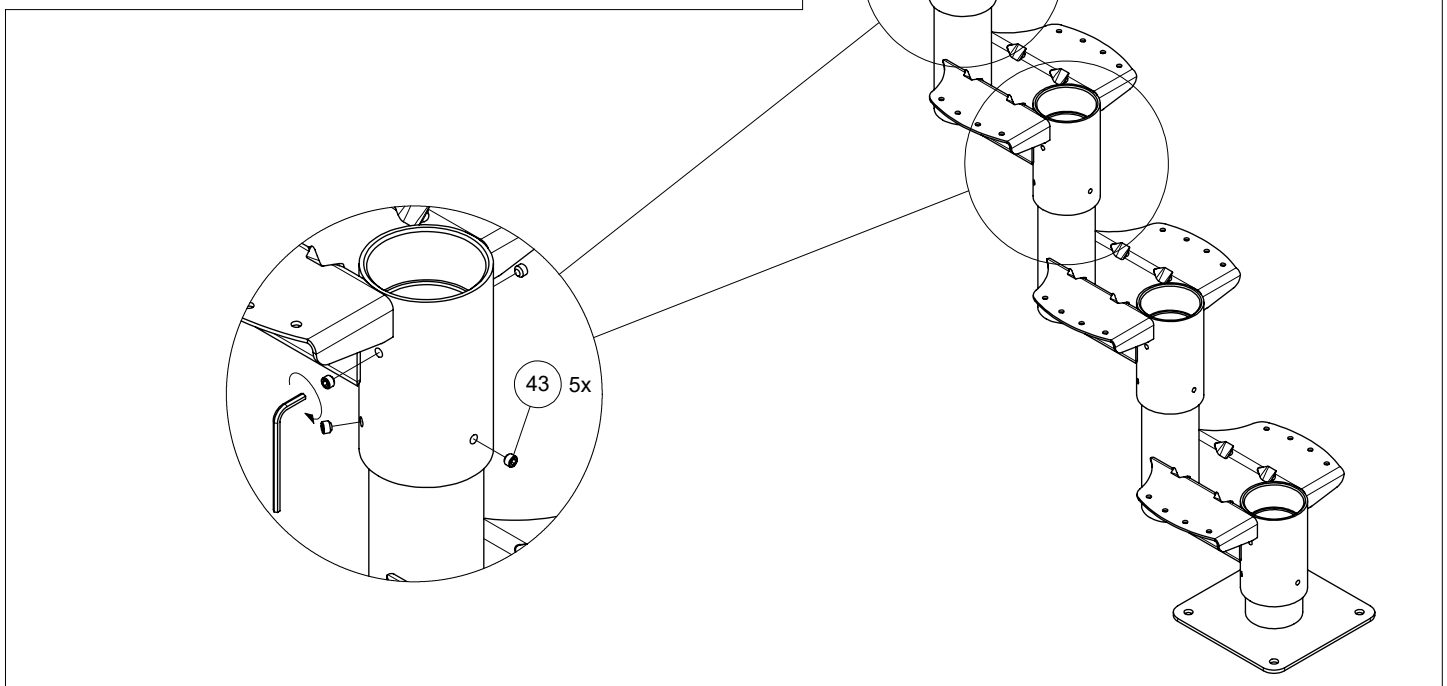
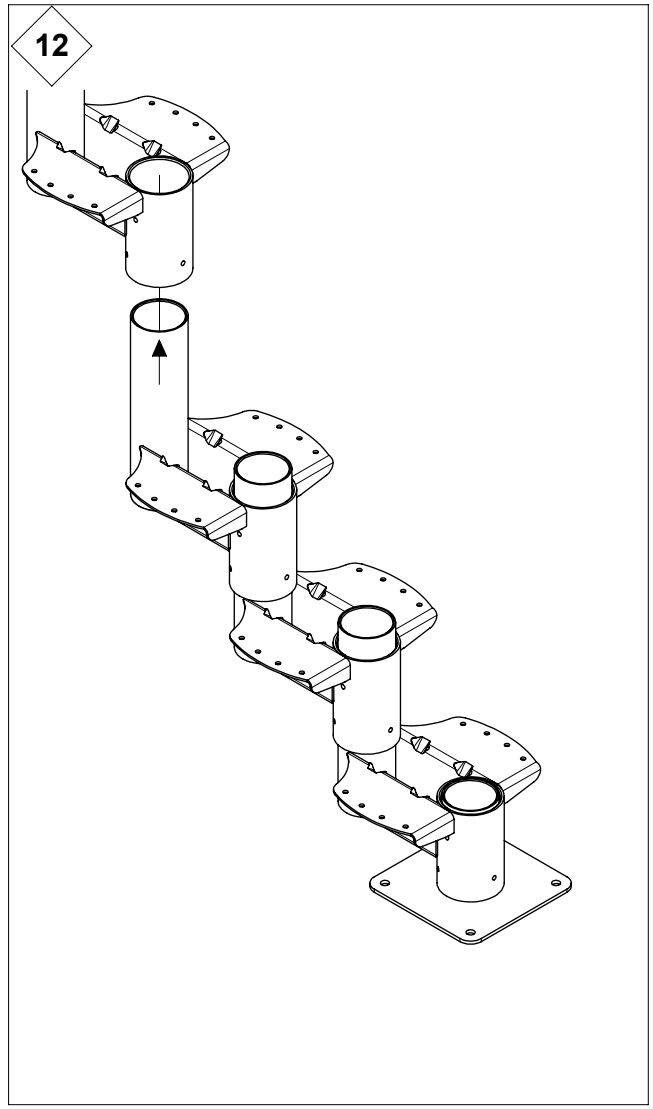
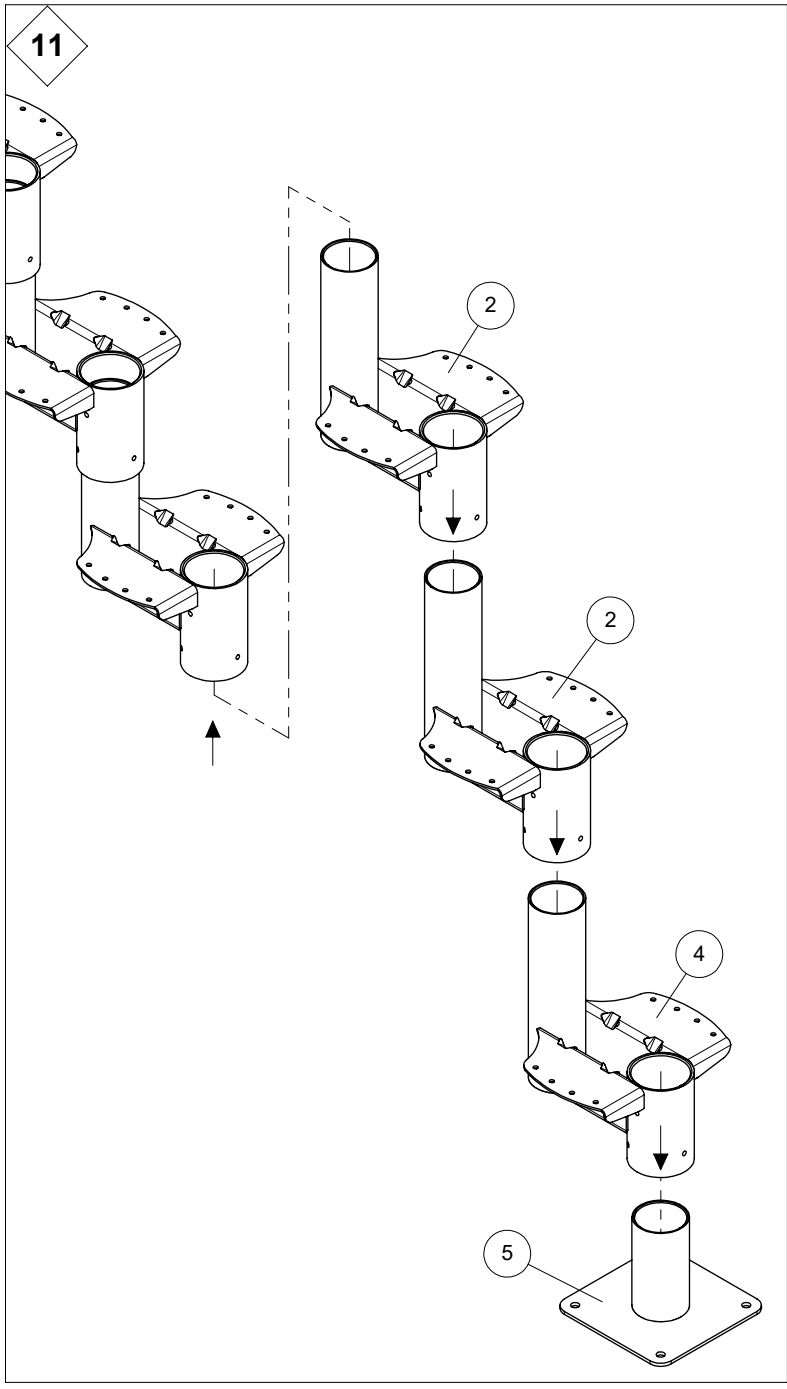
12

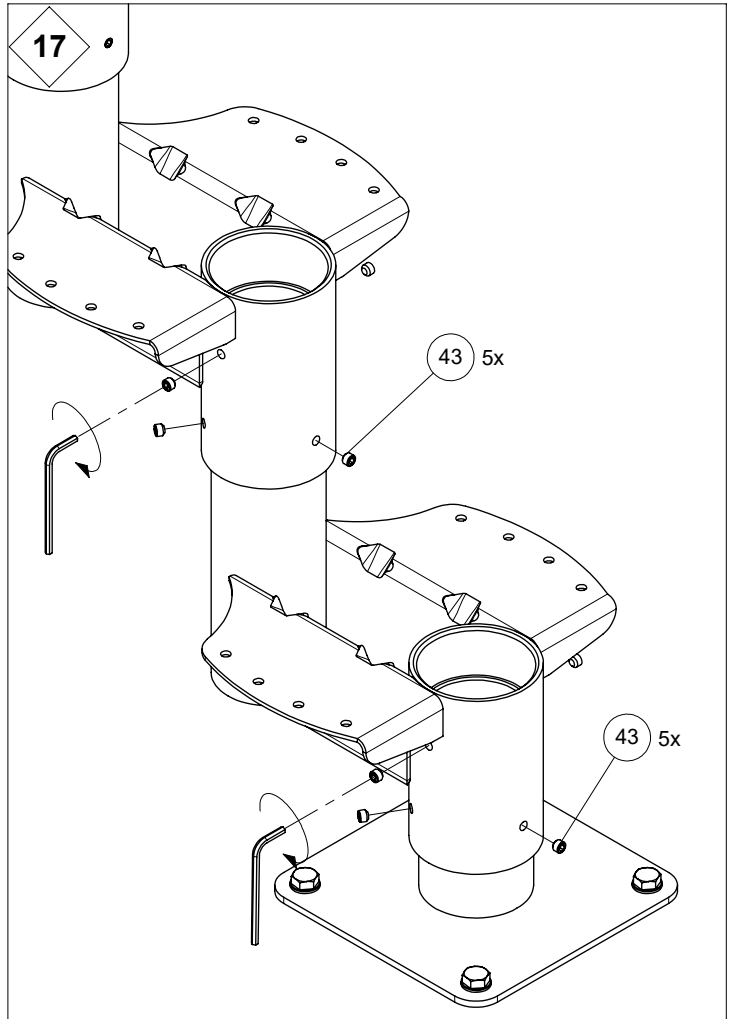
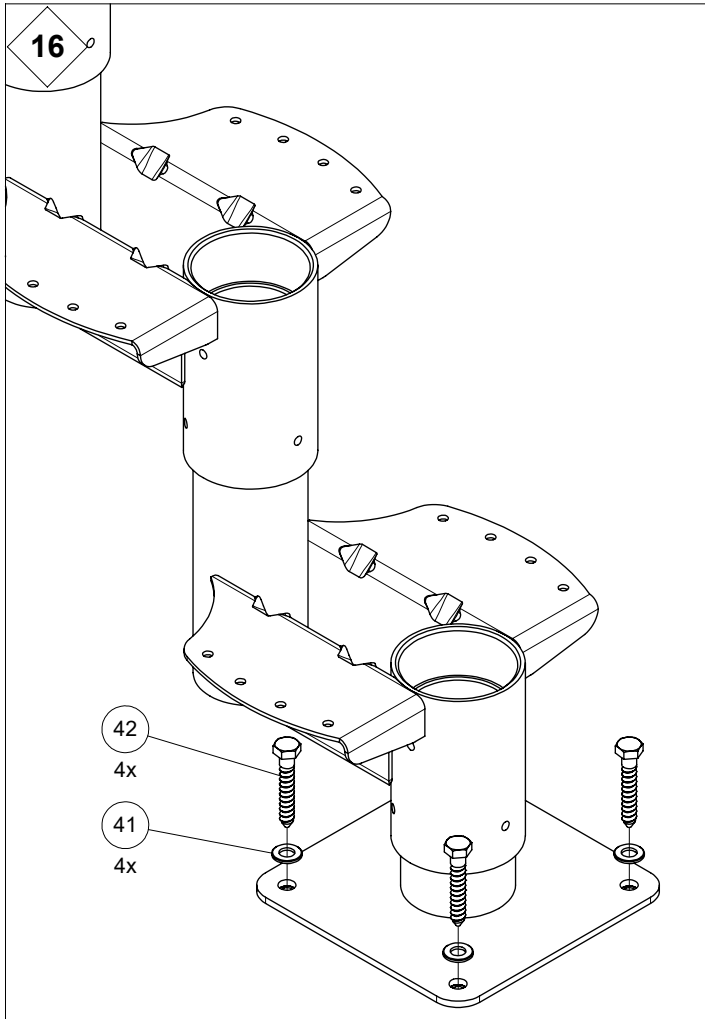
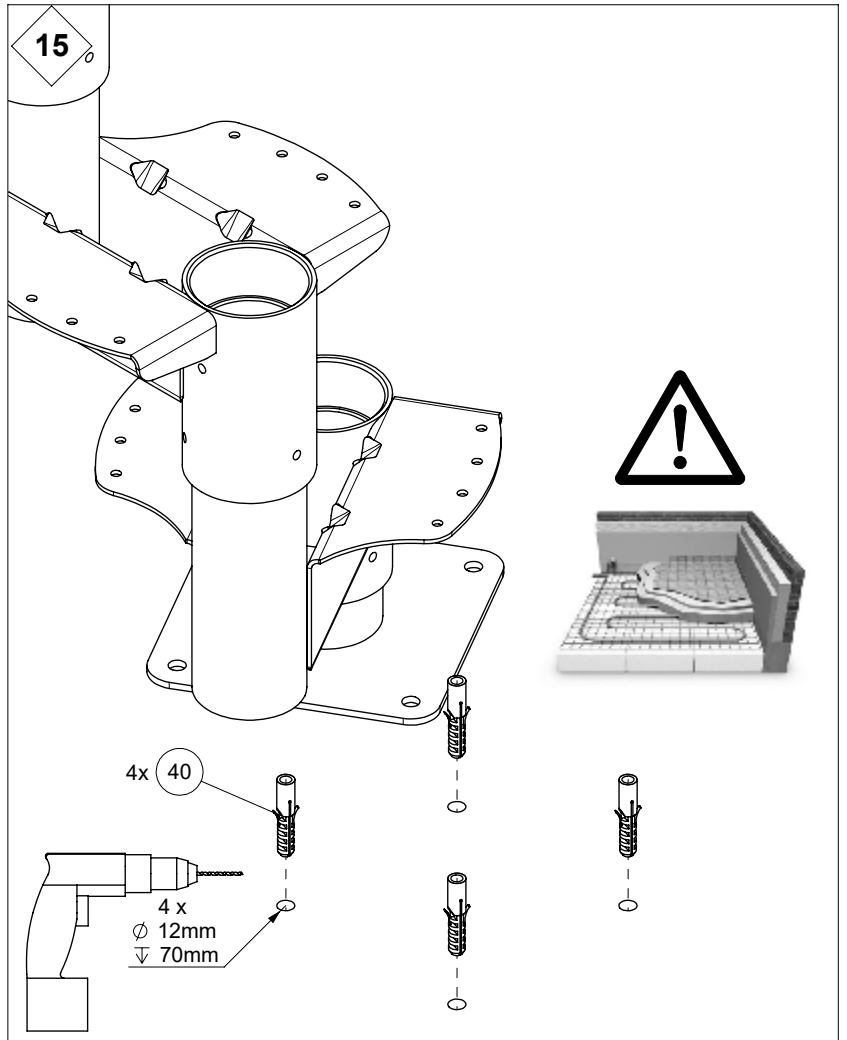
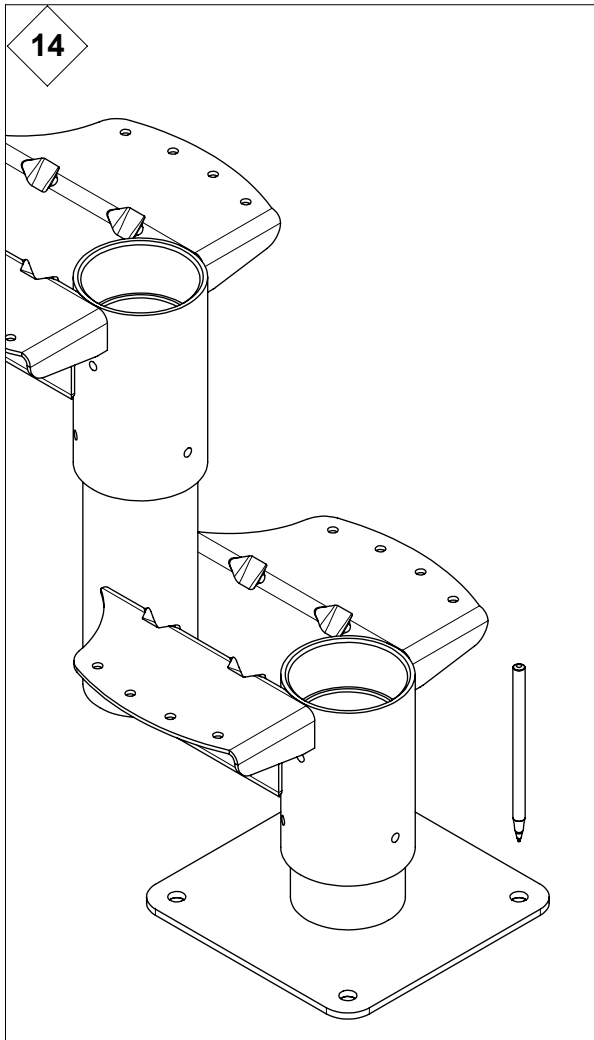
Træstolpe
Wooden post
Holzpfosten

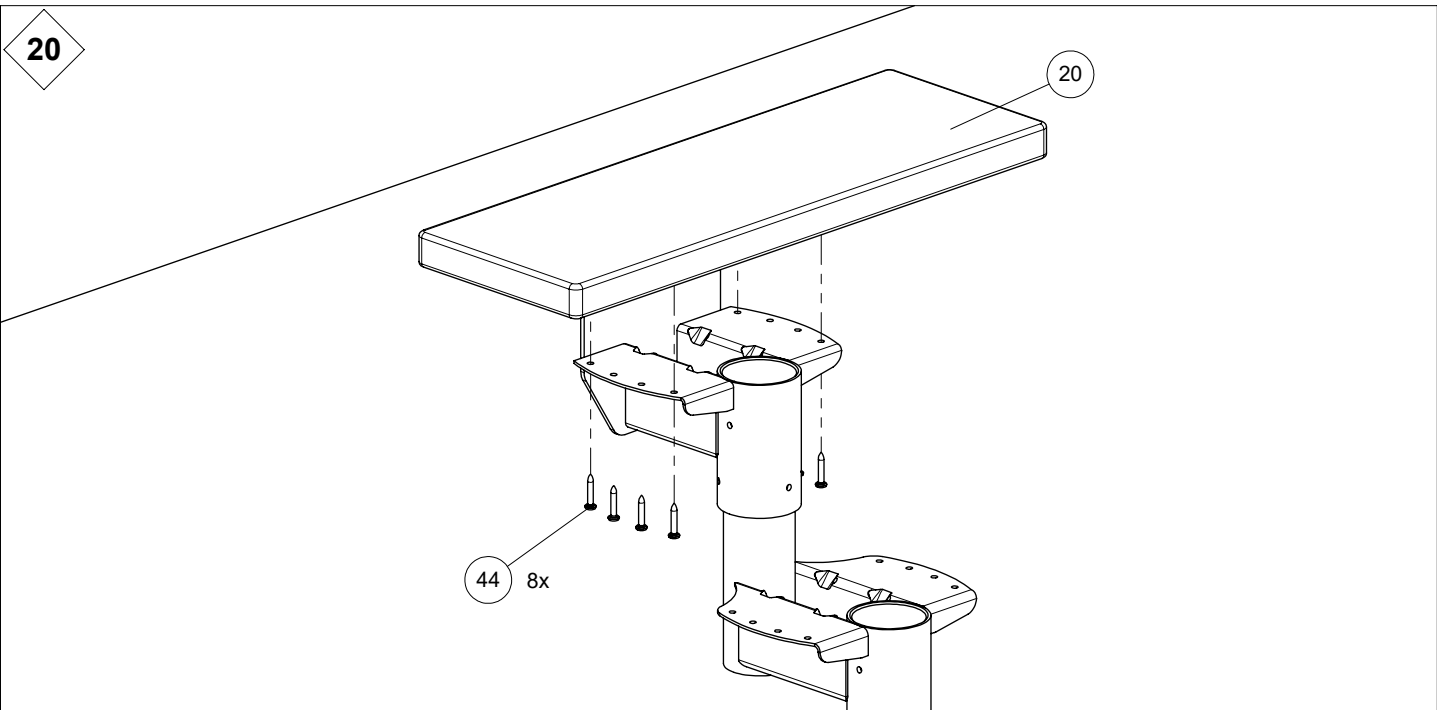
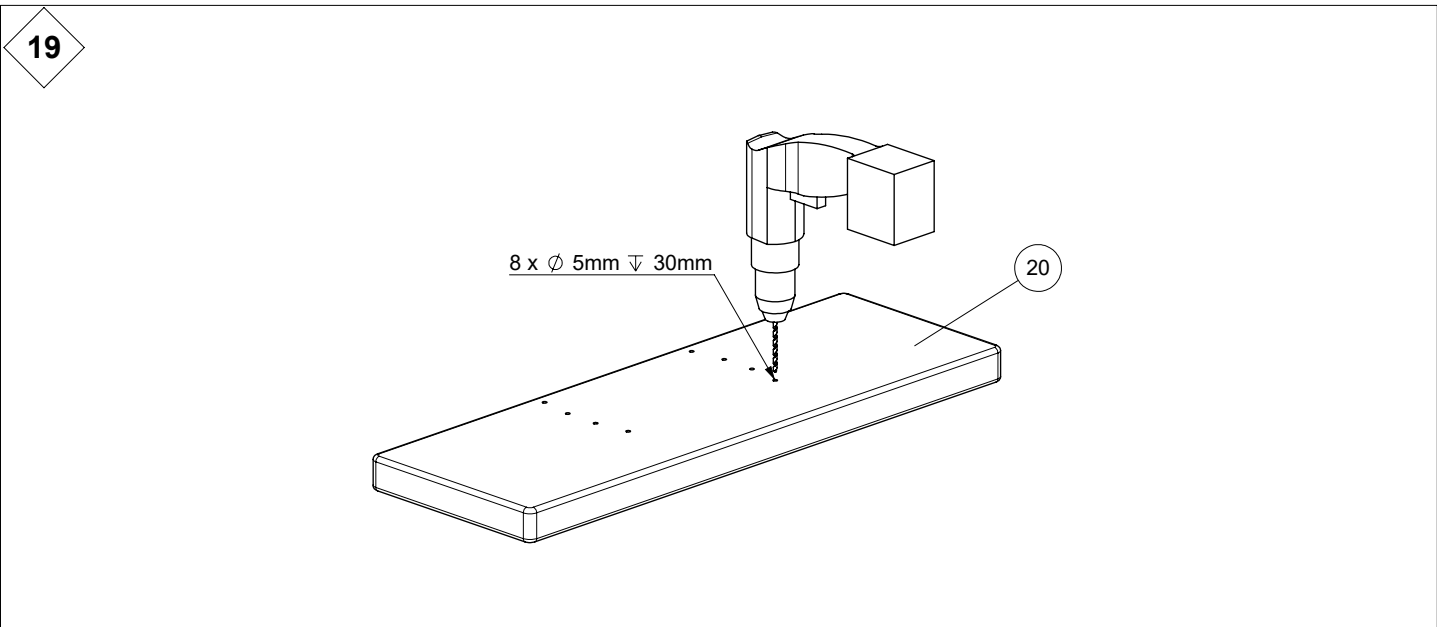
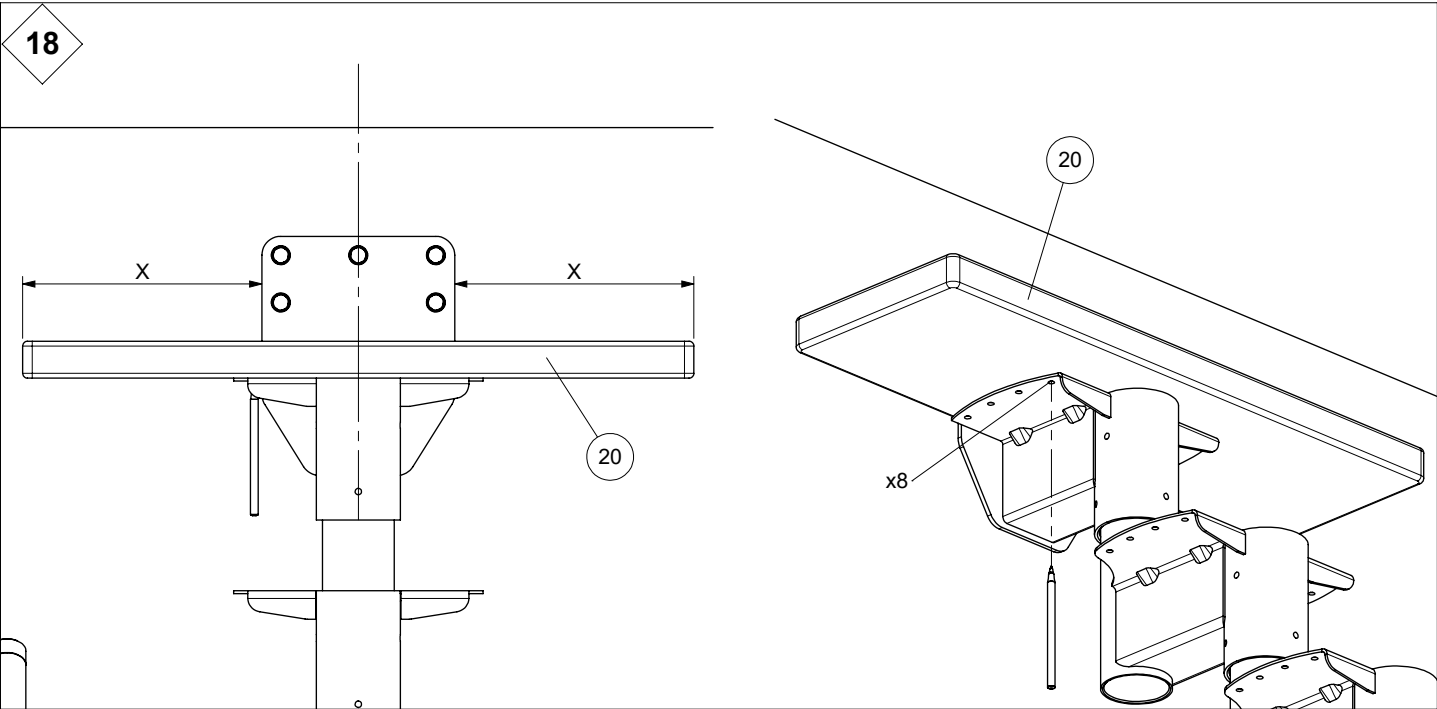
6

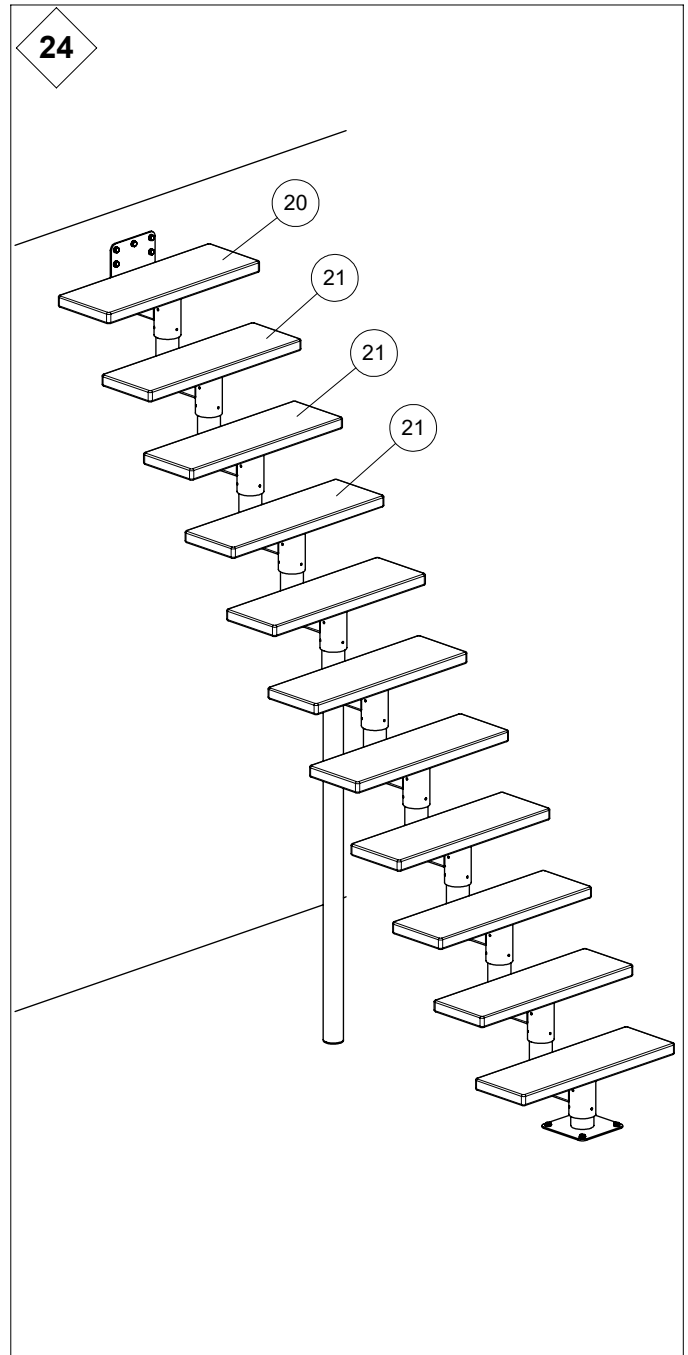
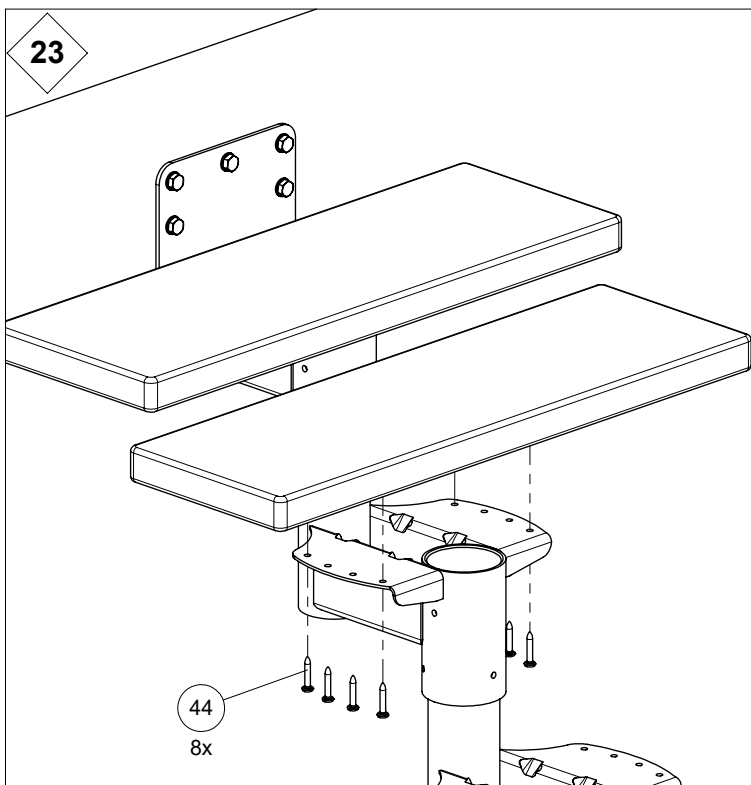
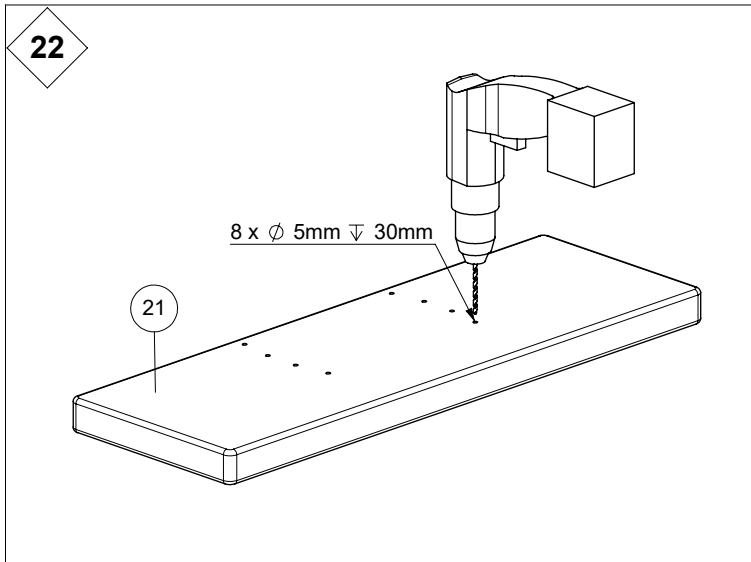
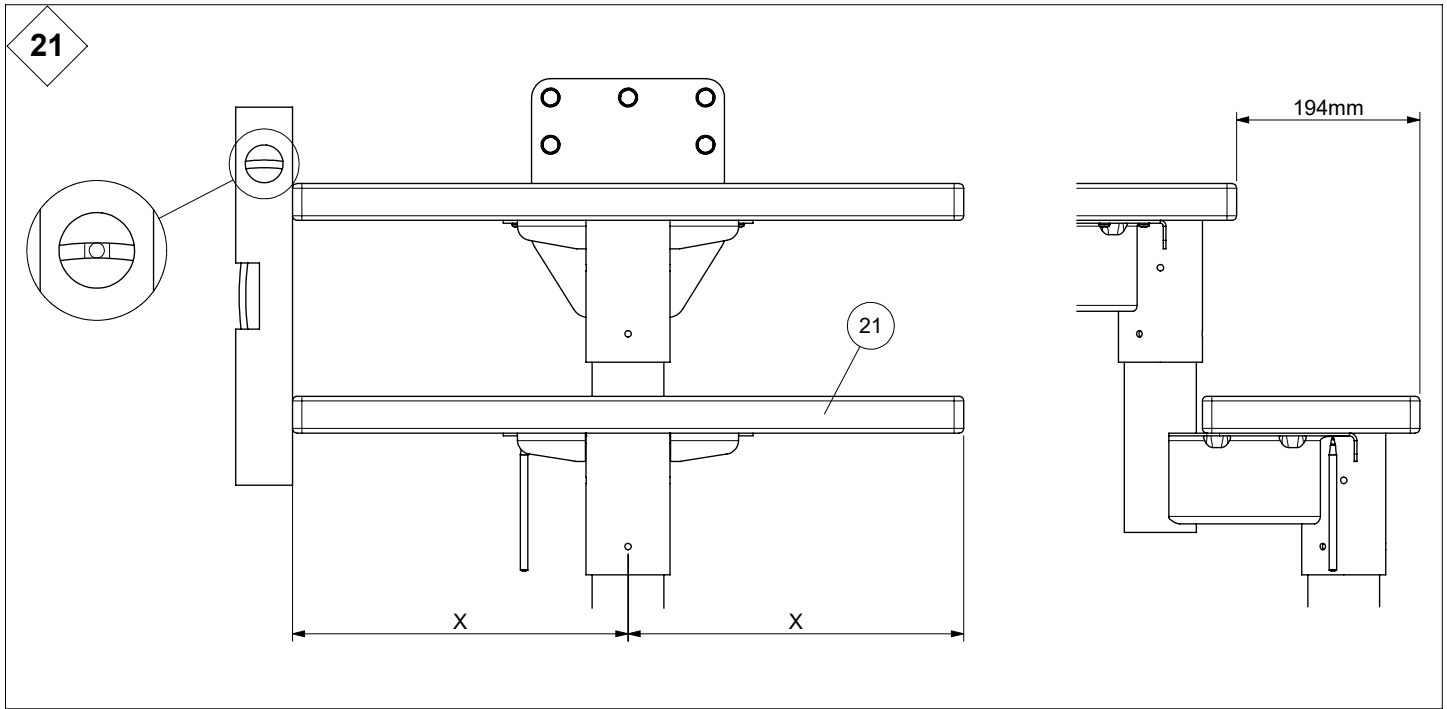


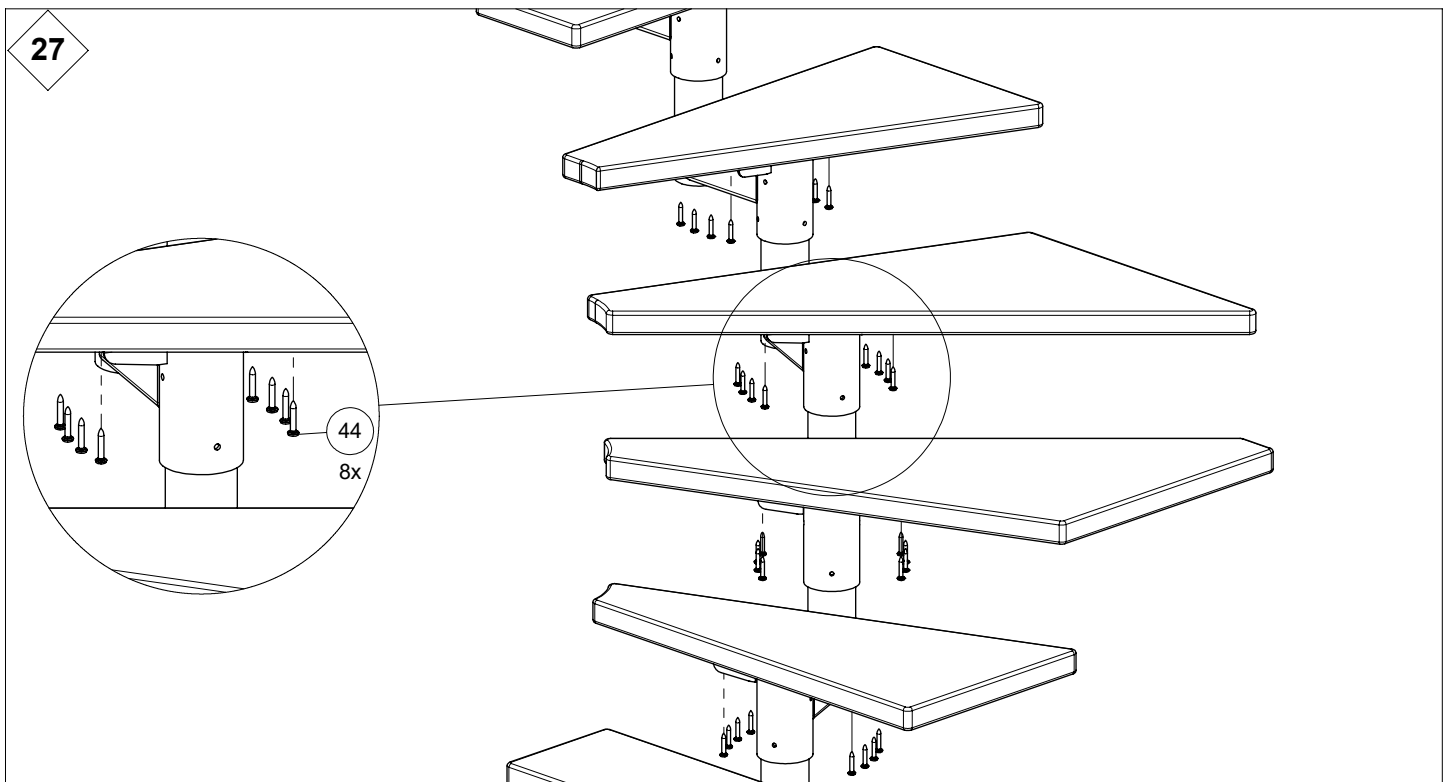
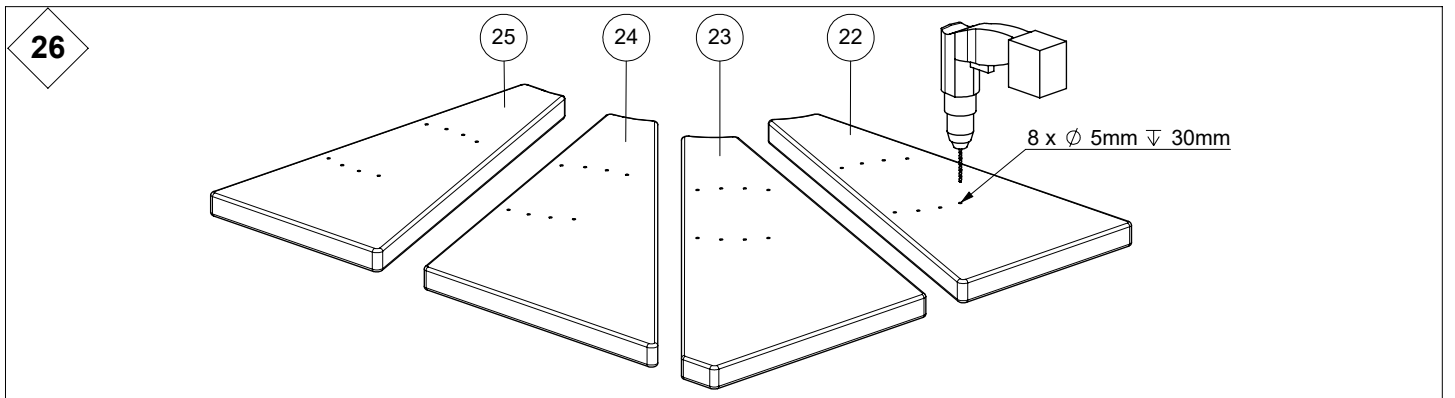
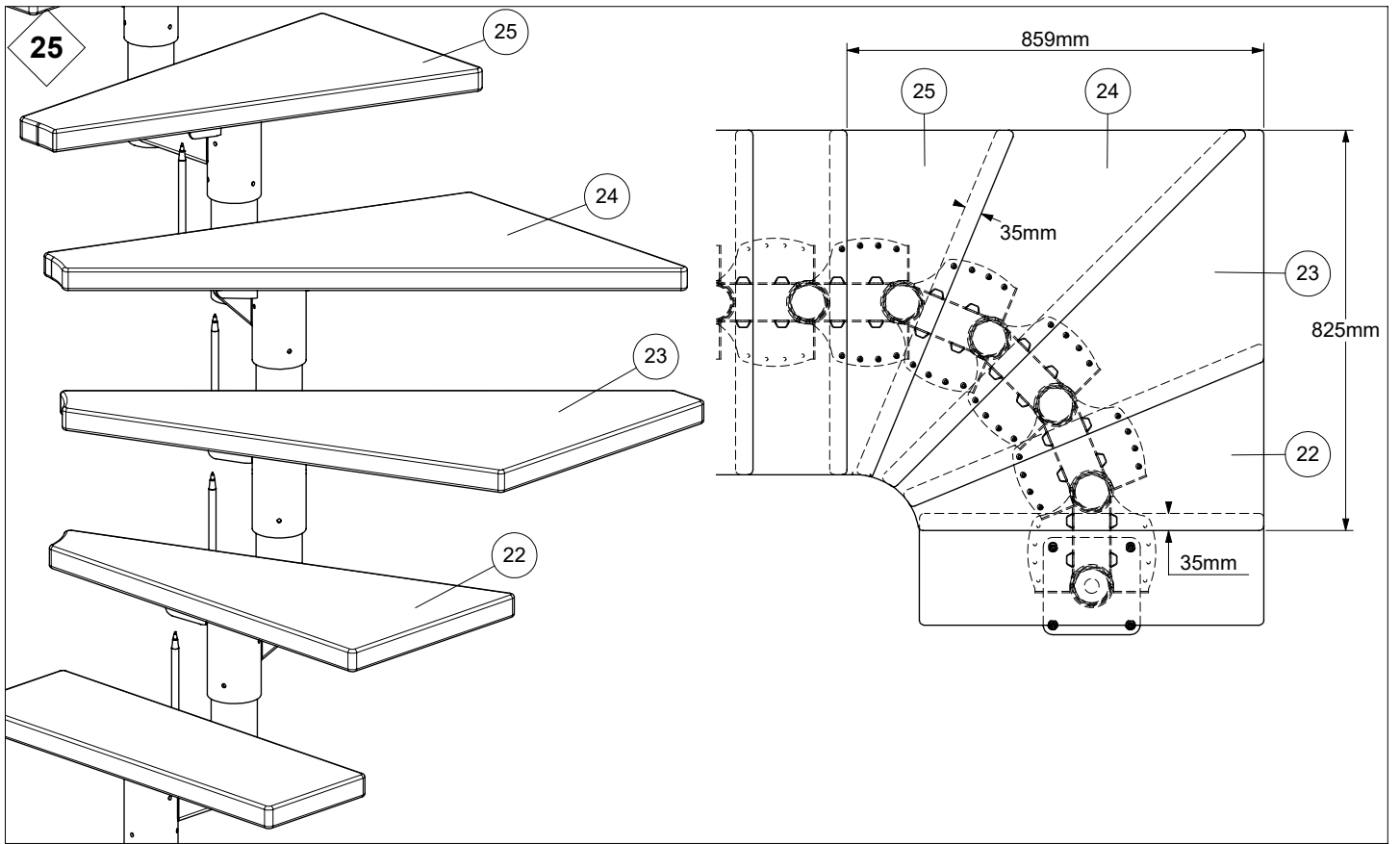




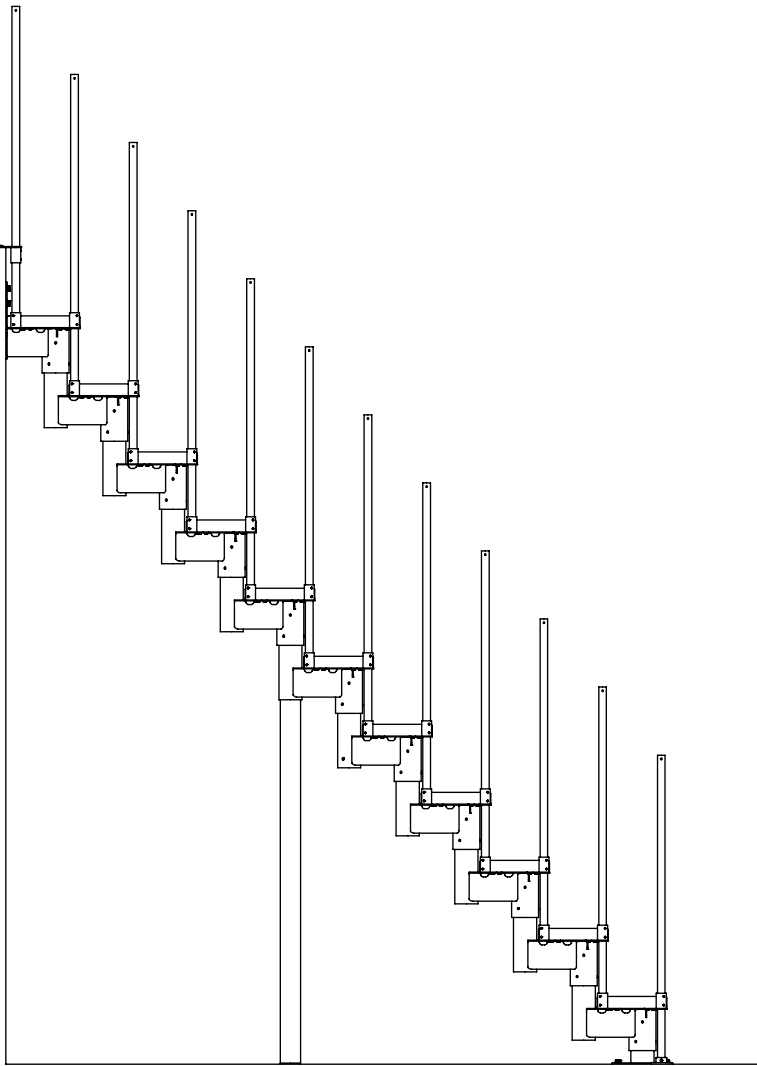




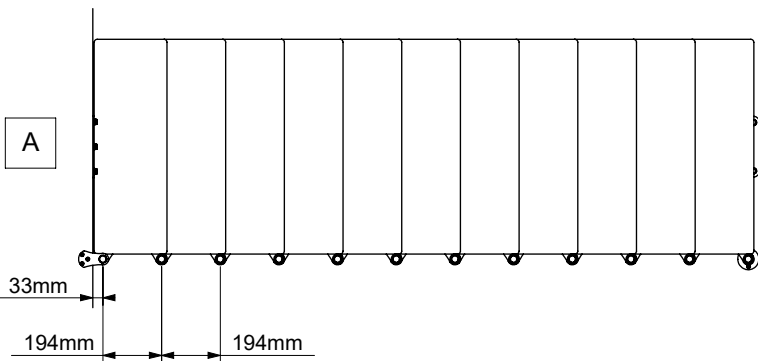




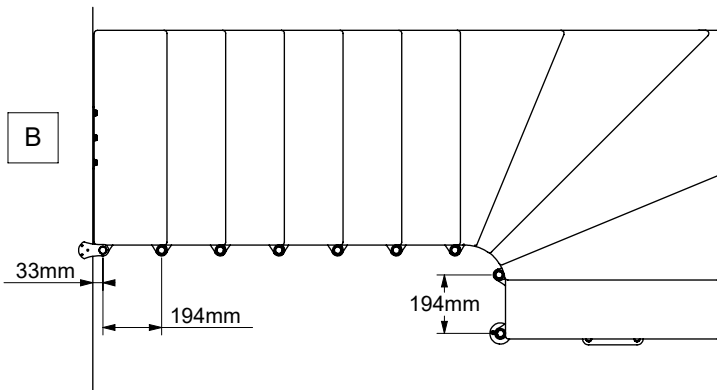
i



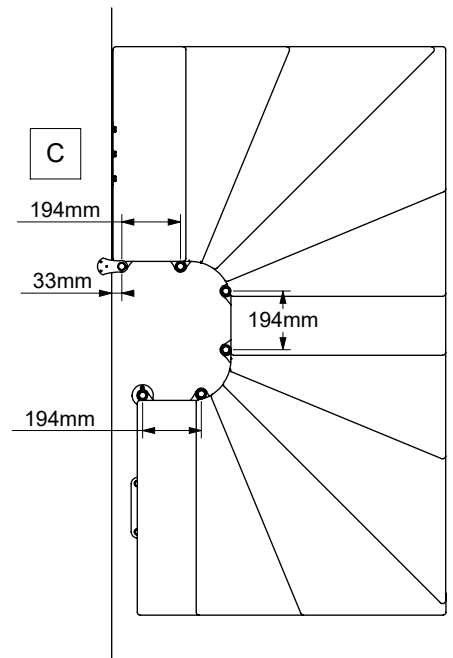
A



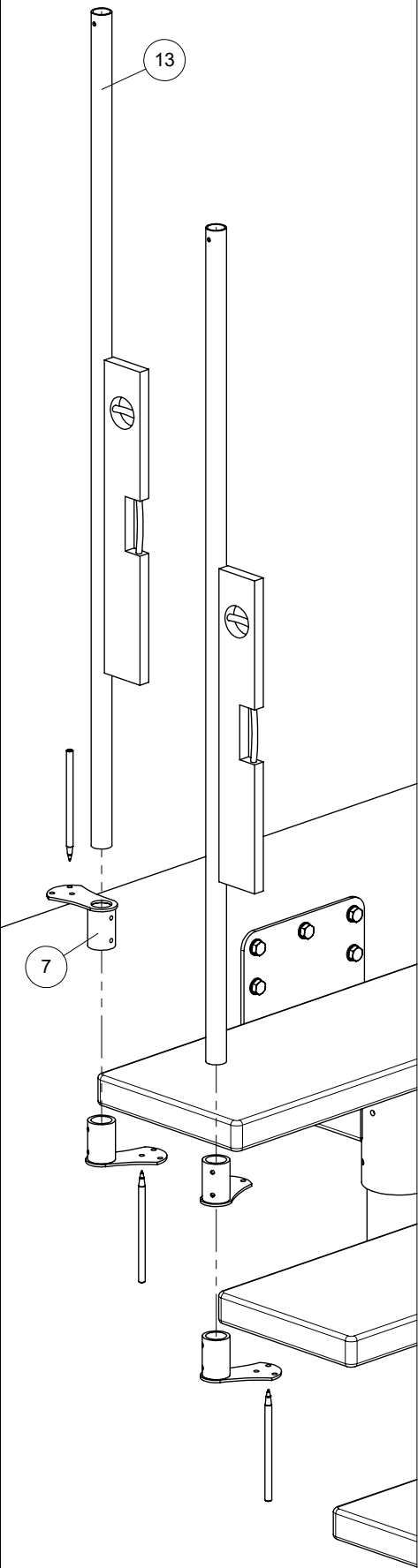
B



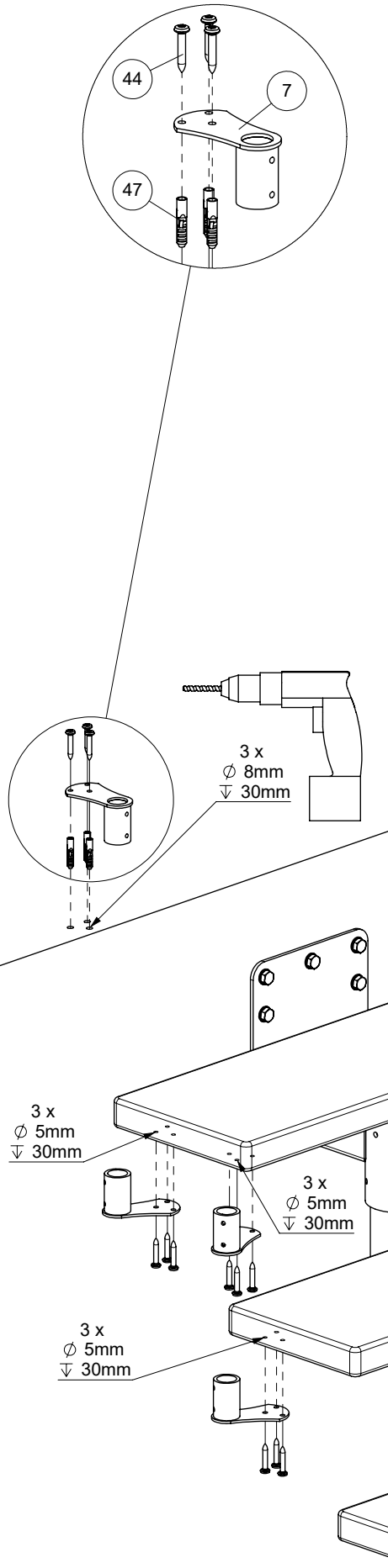
C



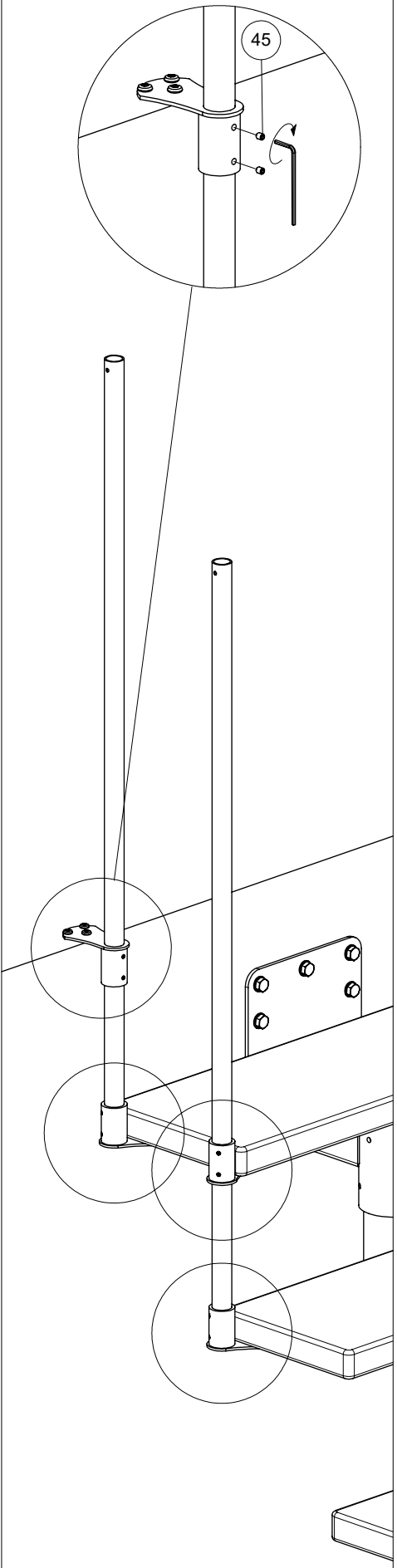
28

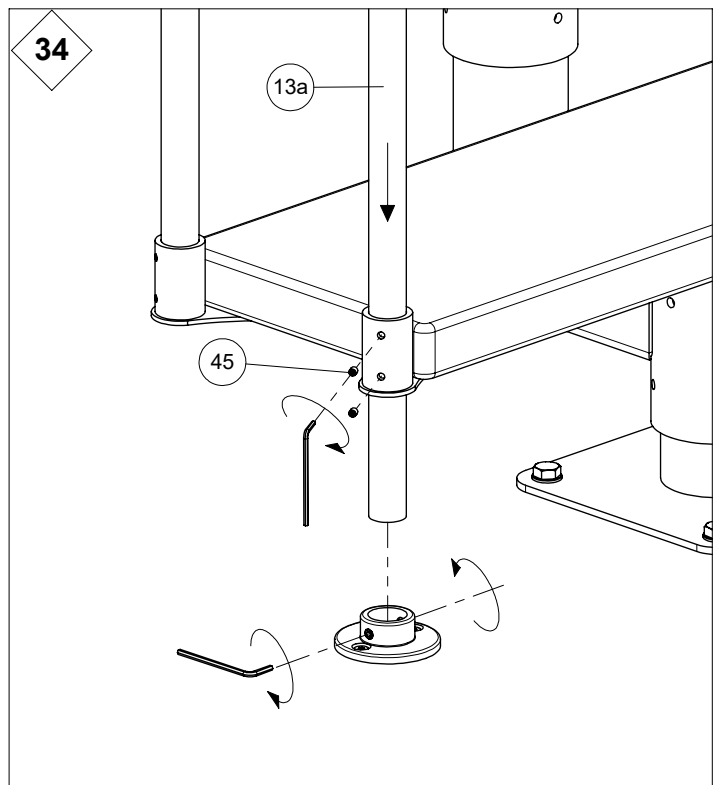
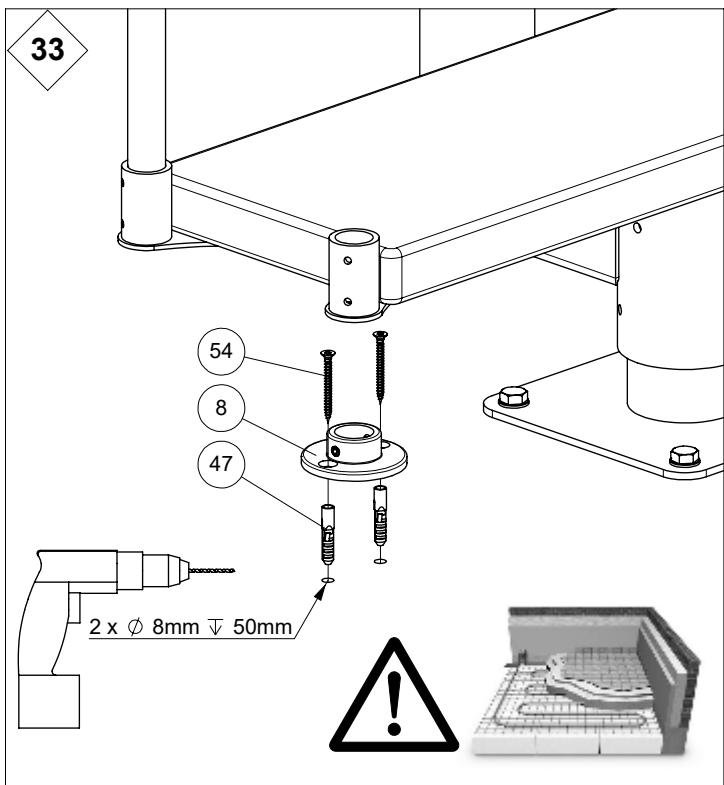
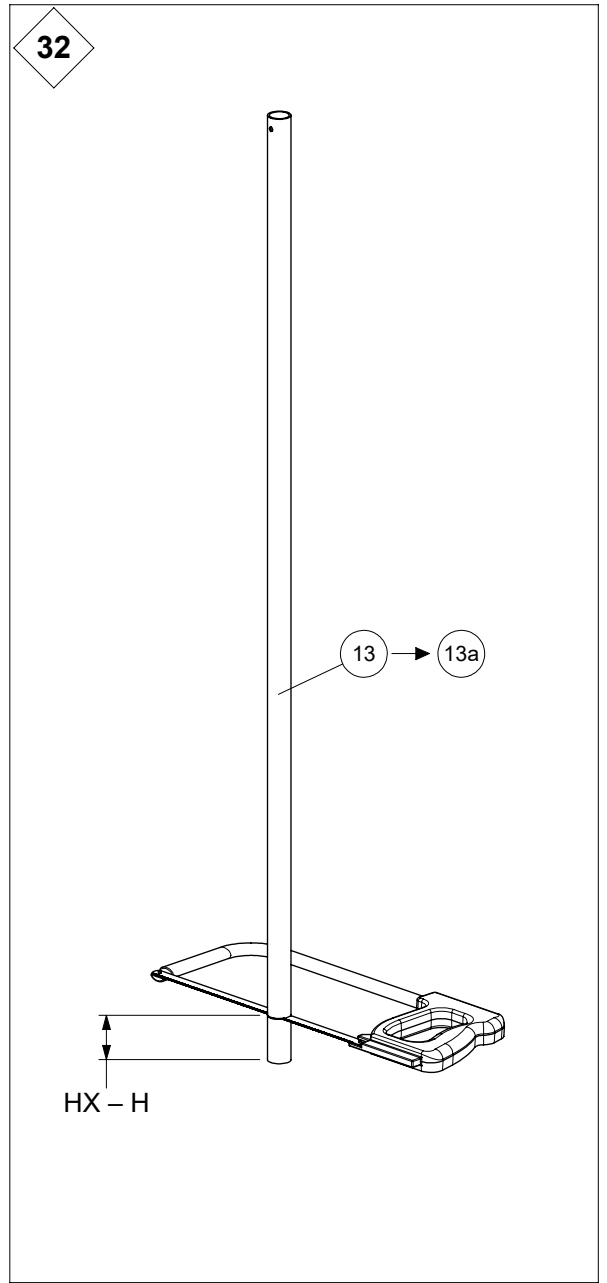
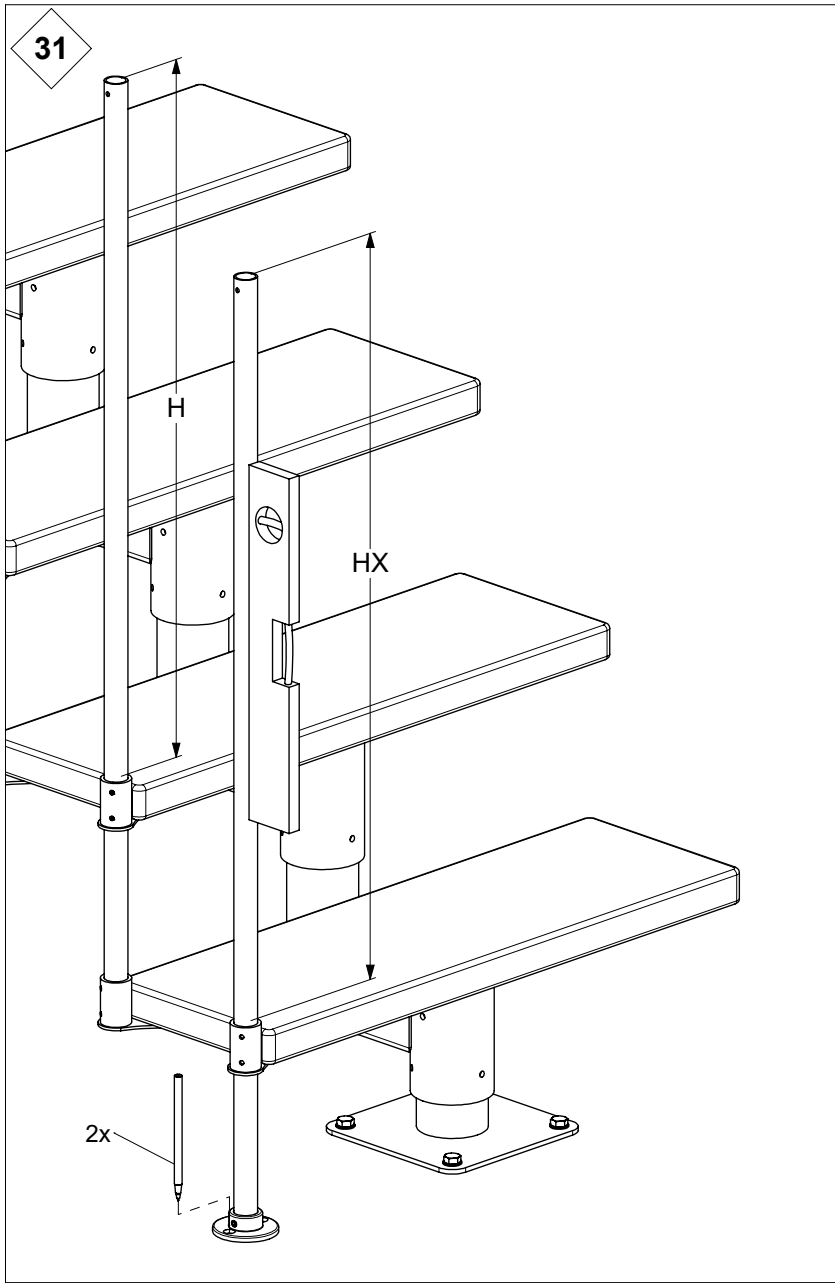


29

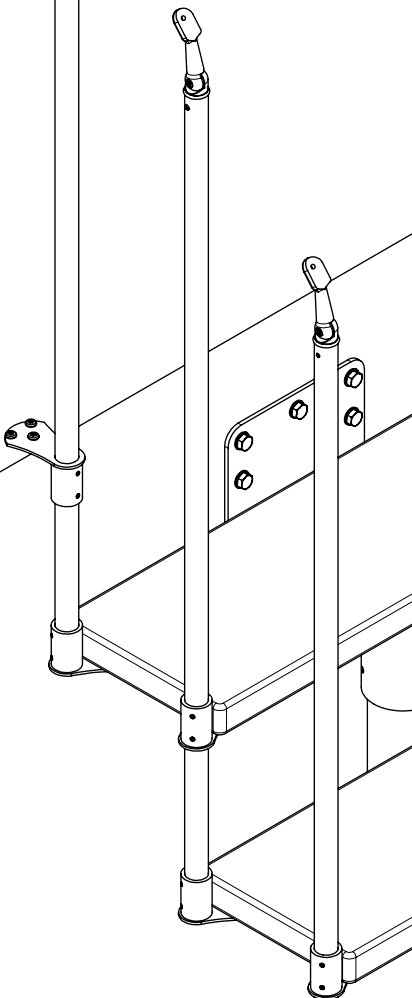
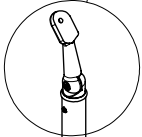
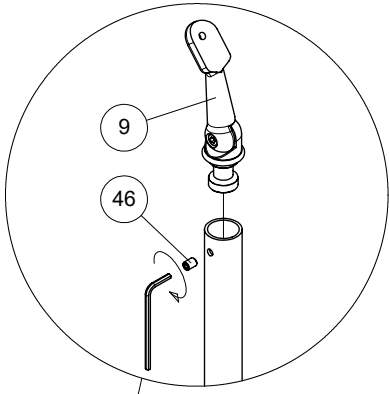


30

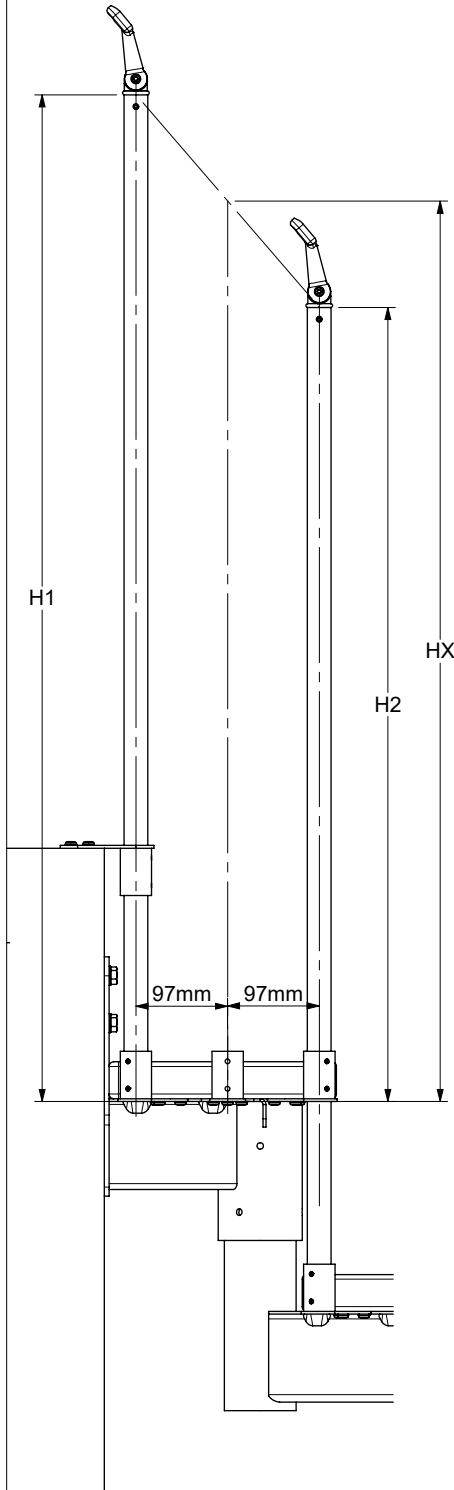




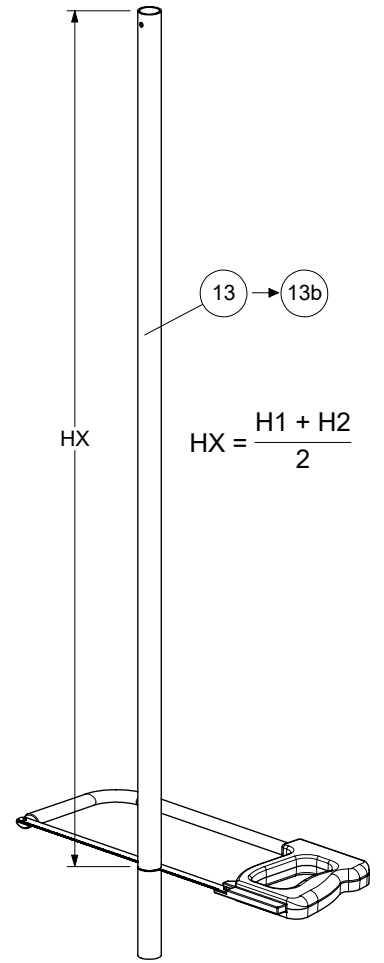
35



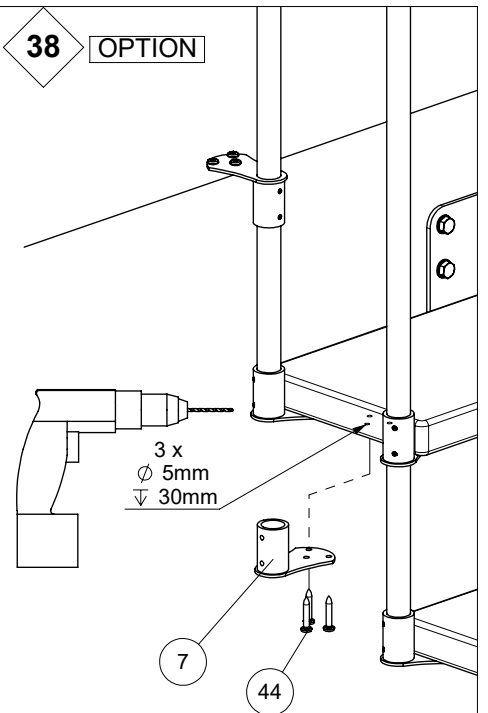
36 OPTION



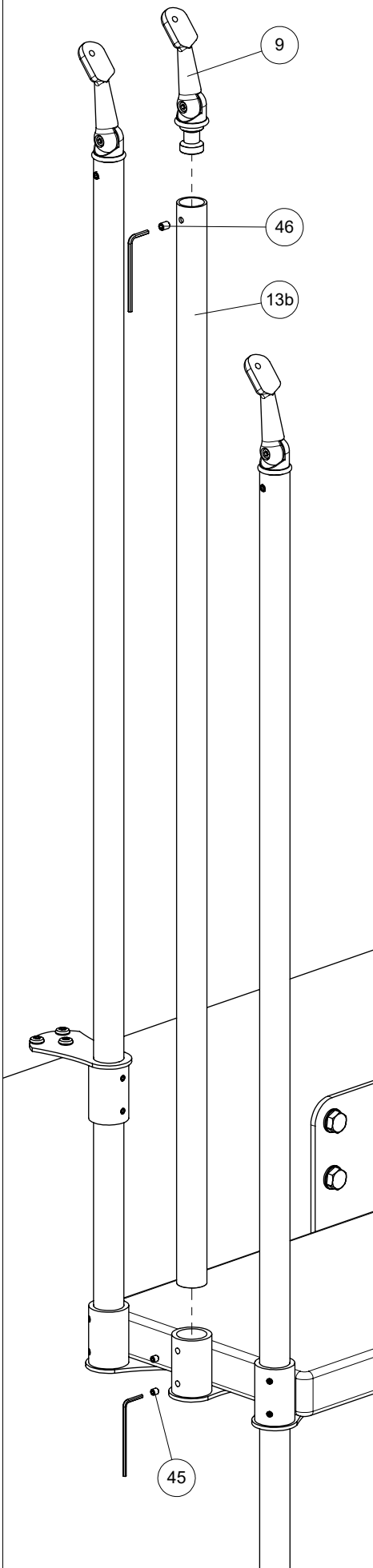
37 OPTION



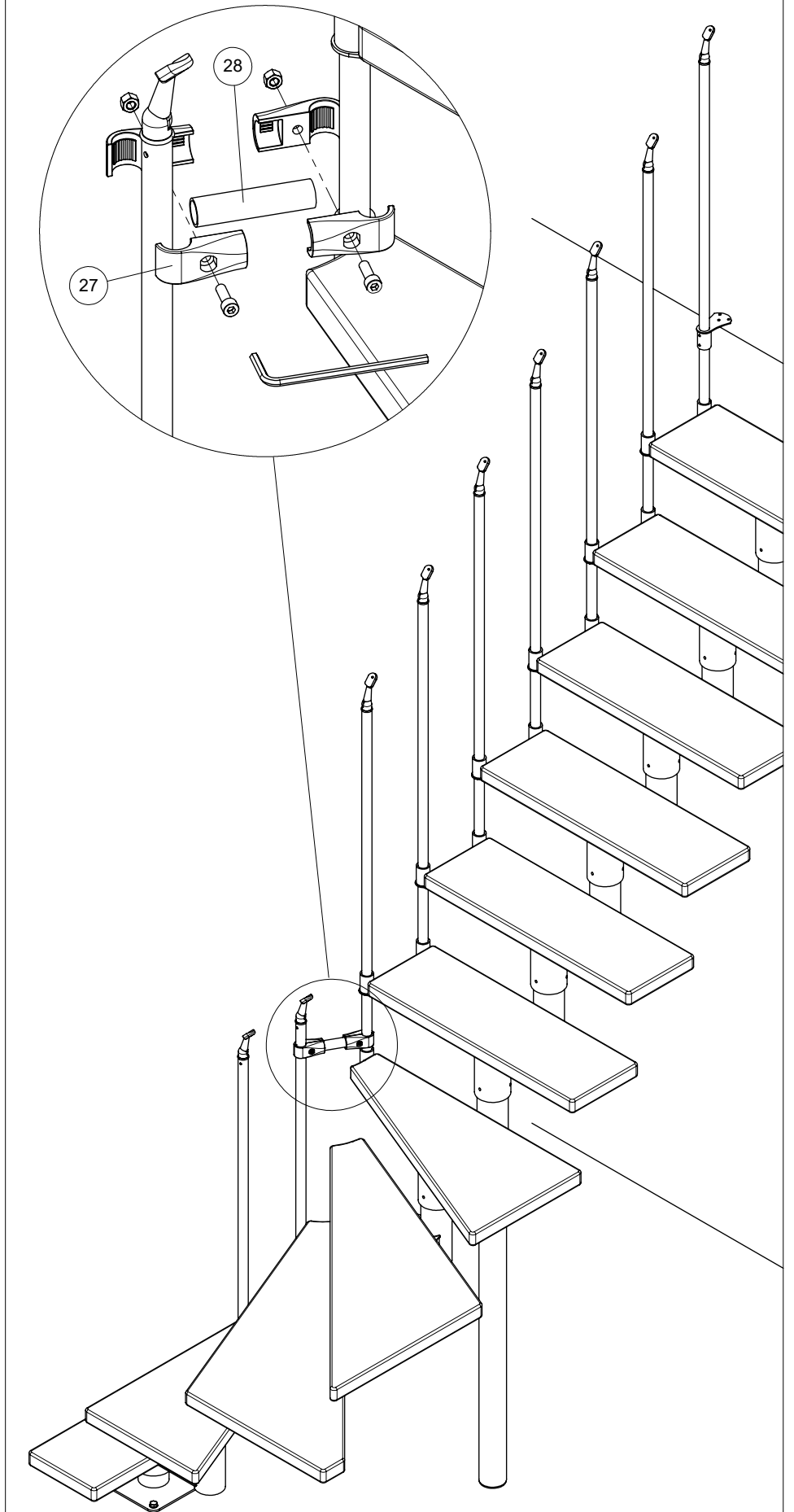
38 OPTION



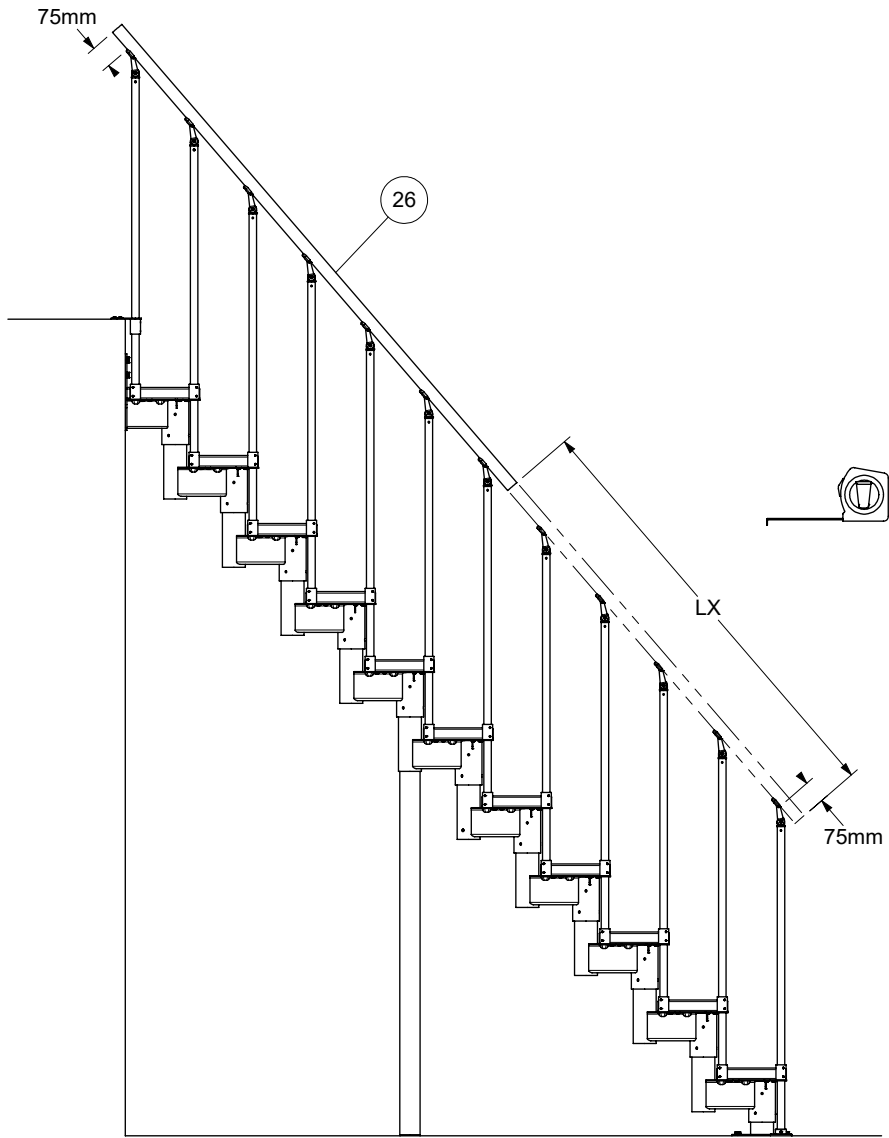
39 OPTION



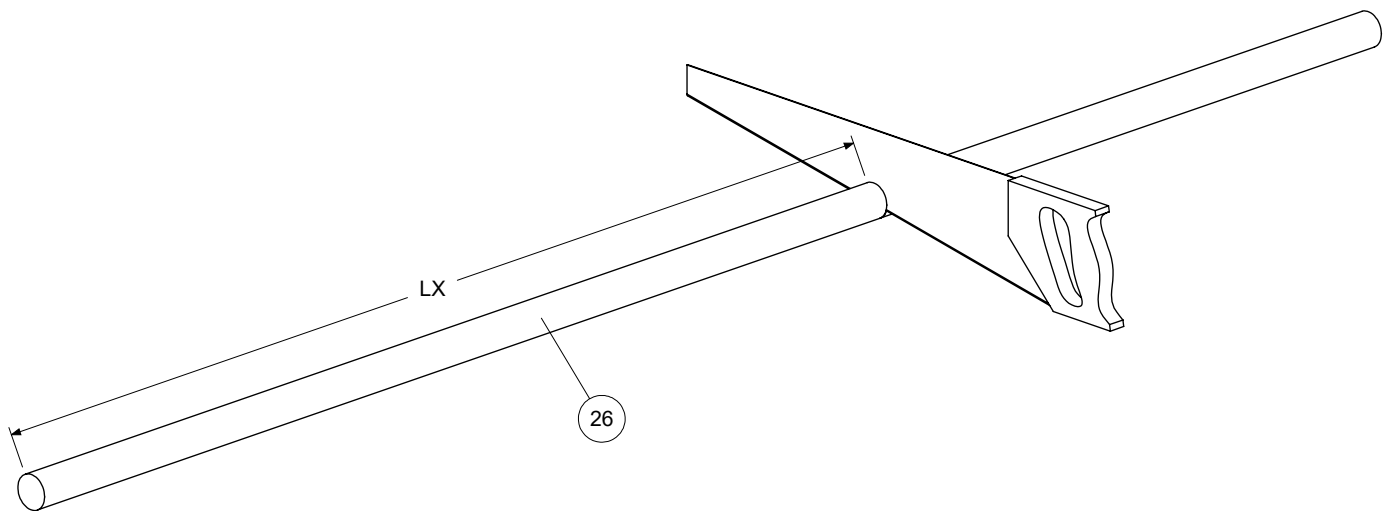
40



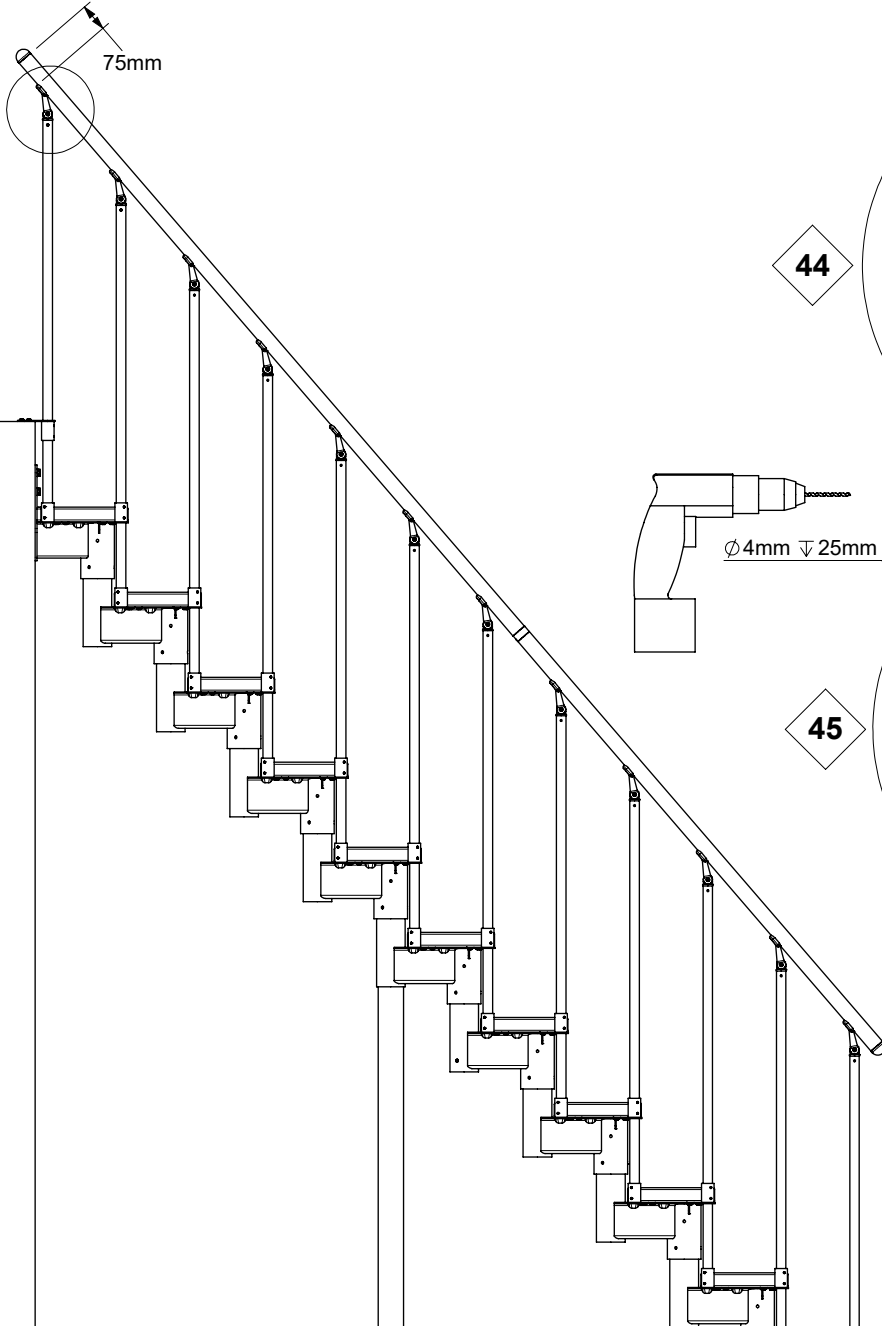
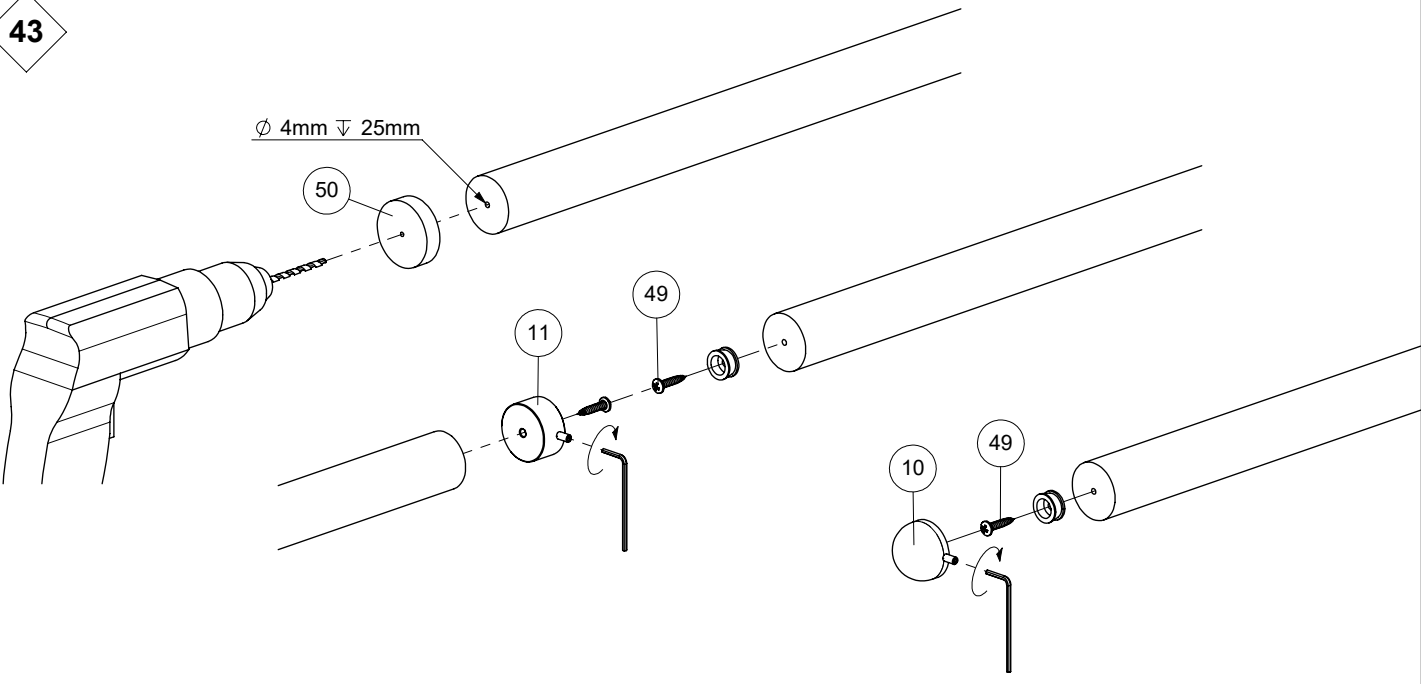
41



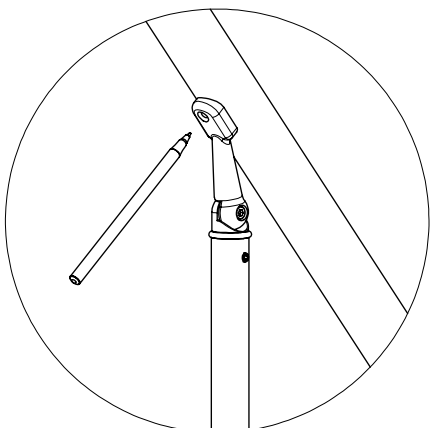
42



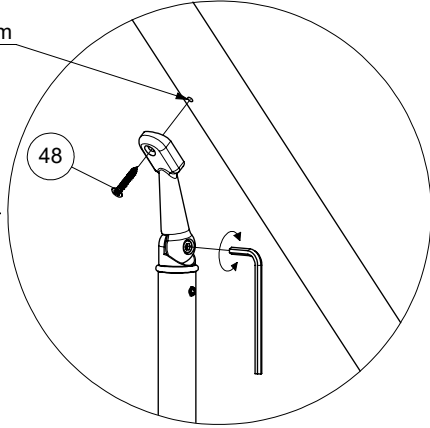
43

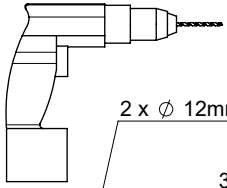


44



45





2 x Ø 12mm ∇ 70mm

3 x Ø 5mm ∇ 30mm

